

Product Overview

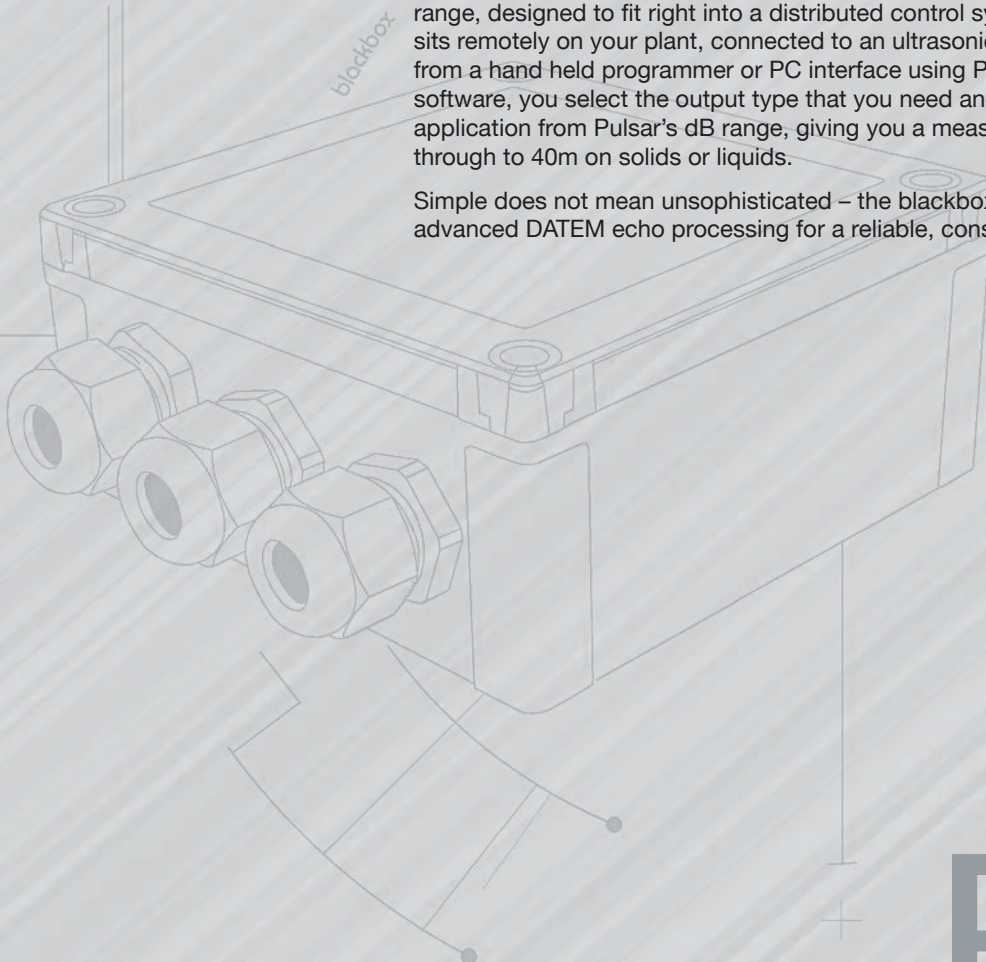


Blackbox

Non-Contacting Ultrasonic Level Measurement

Blackbox is Pulsar's component non-contacting ultrasonic level measurement range, designed to fit right into a distributed control system. A small control unit sits remotely on your plant, connected to an ultrasonic transducer. Simply set up from a hand held programmer or PC interface using Pulsar's 'Blackbox PC' software, you select the output type that you need and the right transducer for the application from Pulsar's dB range, giving you a measurement range from 125mm through to 40m on solids or liquids.

Simple does not mean unsophisticated – the blackbox range enjoys the benefit of advanced DATEM echo processing for a reliable, consistent result.



pulsar[®]
PROCESS MEASUREMENT

Blackbox Controllers:

Level measurement made simple

Features

- Compact low cost intelligent controllers
- Will operate on all dB transducers up to 40m range
- Solids, powders and liquids level measurement
- Separation from transducers up to 1000m using standard 2 core screened cable

All standard Blackbox units share a common IP67 enclosure with 3 cable glands fitted. A flashing LED indicates healthy operation. Programmed through PC using supplied software or Pulsar hand held programmer using RS232 via RJ11 port.

Blackbox 1 30

Level

Non-contacting level measurement featuring a 4-20mA output, which can be supplied isolated or non isolated, proportional to level and two alarm or control relays.



Blackbox 1 33

Level Control

Two control or alarm relays, with simple 0-5V output proportional to level to drive a local display. Simple 2 pump control with alternation is also included in the 133.



Blackbox 1 34/1 35

Level Comms

Blackbox Level Comms retains the alarm relays of Blackbox 133, and adds an RS485 port for digital communications.

Modbus (code 134), Profibus DP V0 or V1 (model 135)



Blackbox 1 36

Level CSO

Pulsar's blackbox 136 CSO is a sophisticated ultrasonic system specifically designed for use with batteries to provide non-contacting monitoring of level or overflow events, with exceptionally low power consumption to maximise battery life in remote locations.



Blackbox Calibration:

The standard Blackbox units have two choices of calibration

The first method is via PC software, Blackbox PC, a CD is provided free of charge with each unit, although an additional interconnect cable will be required. Should this choice be selected an additional connector between the PC being used to calibrate the instrument and the Blackbox itself would need to be purchased. One connector can be used, to calibrate any number of units whichever model they are. This connector attaches to the RJ11 RS232 port within each Blackbox controller and has a choice of a serial connector back to a PC or a USB port. The part number for cable with USB port is: PCLEAD-U and the part number for cable with serial connector is: PCLEAD-S.

The second method of calibrating a number of Blackbox controllers is to use the removable hand held programming unit shown. This can be purchased and be used for any number of Blackbox controllers of whatever type, and provides an easy and immediately visual feedback to the user. Once calibration is complete just remove the cable from the RJ11 port and all parameters will be retained in the controller and it will revert to the run mode.

Programming options include: PC software download, removable hand-held programming unit.



REMOVABLE HAND-HELD PROGRAMMING UNIT CONNECTED TO BLACKBOX



FOOD PROCESSING TANK LEVEL



BLACKBOX PC SOFTWARE SUPPLIED ON A CD AND OPTIONAL CABLE CONNECTING FROM RJ11 TO PC



MINERAL OIL TANK LEVEL



BLACKBOX ON MIXING TANKS WITH AGITATORS

Blackbox Display:

Blackbox with integral display - component non-contacting level monitoring with integrated readout

Features

- Clear backlit display
- Keypad with 'hot keys'
- Easy set up

Blackbox is Pulsar's component non-contacting ultrasonic level measurement and control range, fitting between the self-contained IMP and the high specification Ultra 3 and Ultra 5 for volume monitoring, pump control and open channel flow measurement. Blackbox units are available with a variety of output options: 2 control relays, 4-20mA, or RS485 digital output (see Blackbox 134/5 information). Programming options include: PC software download, removable hand-held programming unit and now the further option of an integral keypad and display.



The integral keypad and display is available for any unit in the blackbox range with the exception of the blackbox 136 CSO.

The integrated keypad and display means that you have complete flexibility in your control application, providing a local display for those applications that require local indication. Alternatively, blackbox with integral keypad and display provides an economical alternative for simple level measurement or control applications.

Blackbox units are compatible with Pulsar's complete range of transducers, giving a range extending from 125mm right through to 40m, on solids, powders or liquids. The Blackbox range benefits from DATEM (Digital Adaptive Tracking of Echo Movement) digital echo processing, providing unrivalled performance particularly on difficult applications.



SHOWS THE BLACKBOX DISPLAY IN SITU

Technical Specification: Blackbox Display

PHYSICAL

Dimensions:	130mm x 130mm x 60mm
Weight:	Nominal 0.65kg
Enclosure:	ABS Base with polycarbonate lid
Programming:	integral keypad or RS232 interface using optional software or hand-held programmer

ENVIRONMENTAL

Flammability rating UL94HB:	Fitted with 3 x M20 nylon cable glands for 6-12mm cable. IP rating: IP66
------------------------------------	--

Electronics should be mounted in a safe area. Please see detailed specification for full details of EMC approvals etc.

Max/min temperatures (electronics):	-20°C - +50°C
Measurement range:	125mm - 40m depending on transducer

PERFORMANCE

Accuracy:	0.25% or 6mm whichever is greater
Resolution:	0.1% or 2mm whichever is greater
Display:	2 x 12 alpha numeric (backlit)

ECHO PROCESSING

Programming security:	Via Passcode (user selectable)
Outputs:	2 volt-free contacts, form "C" SPDT rated 2A at 240V AC, RS232 for programming and data
Comms:	RS232 via RJ11 port standard and optional RS485 providing digital communications by 134/5 units

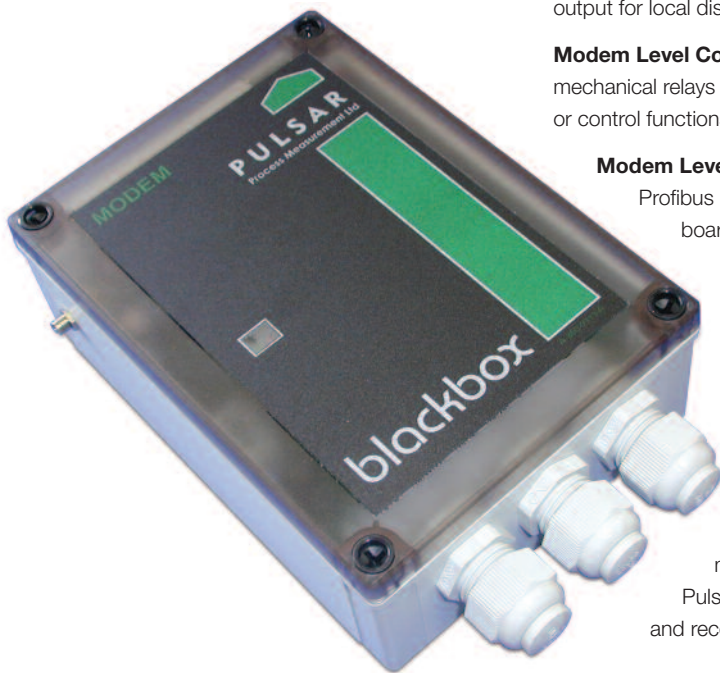
Blackbox:

Modem

The ultimate distributed stock monitoring and control system, Blackbox Modem features an built-in GSM modem that provides SMS (text) messages in response to low level or re-fill points, meaning you can monitor stocks across a site, a city or a country – plan your transport efficiently, save time and money and most importantly, keep your customers happy.

Blackbox modem features superb digital echo processing to give reliable level measurement over anything from 125mm to 40m on solids, powders or liquids, making it perfect for measurement of almost any kind of bulk material.

“Blackbox modem” includes a GSM modem, which is simply configured via a PC set-up to provide a mobile phone SMS text message either when stocks reach a user configured “restock” point or at user-set intervals. That allows the supplier to plan properly for restocking, decide the most efficient routes for delivery vehicles in advance, and perhaps most importantly, avoid the dreaded “I’ve run out – can you be here in ten minutes?!” phone calls.



Blackbox modem is aimed at companies with distributed stocks of material that need replenishment on a regular basis, for example: cement silos in construction sites over a wide area, chemical tanks based on customers’ premises and so on. Alternatively, Blackbox modem is ideal for large sites where it is important to maintain a stock level in strategic areas, or for environmental protection applications where high levels or overflow conditions are critical. The GSM modem can also act as a wireless connection to Pulsar’s Blackbox PC software for diagnostics and programming.

Blackbox Modem is available in 4 versions:-

Modem Level 130: which also features a 4-20mA output for local display of level;

Modem Level Control 133: which offers two mechanical relays (Type C, 230V 2A SPDT) for alarm or control functions.

Modem Level Comms 134/5: with Modbus or Profibus DP V0 or V1 digital comms on board.

Two software packages are available - BlackboxPC, which provides set-up facilities for the Blackbox unit and allows the user to fully set up the unit, view echo profiles and perform diagnostic checks. SMS Server is specifically designed for collating SMS data from multiple units in the field. Use a Pulsar GSM modem at a PC to receive and record the data.

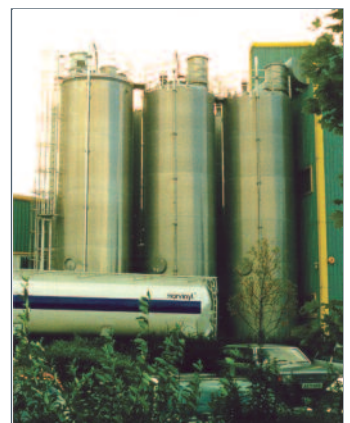
Features

- SMS text alert on level
- SMS server software monitors and logs many tanks for levels

SMS Server software

SMS Server shows you all your sites at a glance on your PC screen. A simple colour-coded mimic tells you when a site has reached a re-order point or is at a dangerously low level, so you can make the right decisions about restocking materials and programming vehicles for the best possible efficiency - saving time, resources, manpower and energy.

SMS Server is easy to set up and runs on a standard PC connected to the compact Pulsar GSM modem.



Blackbox Modem:

Blackbox with integrated GSM Modem

The system* is dependent on SIM card used; it can be either “data” enabled or standard SMS type (Voice/PAYG).

If the SIM card is standard voice type, the Blackbox Modem (1) can send SMS text messages on alarm to designated mobile phones, or customer can install Pulsar SMS server on a PC connected to a PC modem (2). The SMS server software can collect data and reports and present data in a graphical format, also this data can be saved into Excel format. This is a many to one connection.

If SIM card fitted on the remote site is a “data” type then, using Blackbox PC software on a local PC with modem (2), this allows getting and setting of parameters and getting traces, this is a one to one transparent connection from Blackbox PC software to the remote unit.

*Coverage dependent on network.

- 1: The modem is a quad band modem GSM 900/DCS 1800/GSM 850/PCS 1900 fitted in larger enclosure with Blackbox processor board and PSU.
- 2: The modem is a quad band modem GSM 900/DCS 1800/GSM 850/PCS 1900 fitted in larger enclosure with PSU.

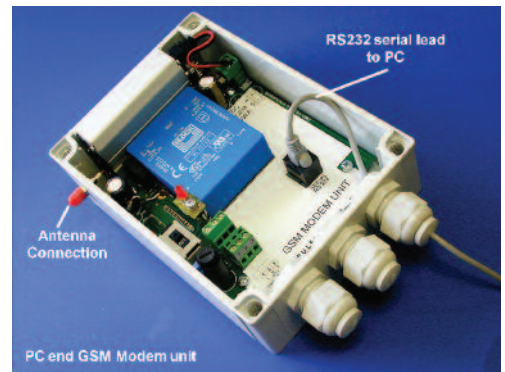


FIGURE 1: THE OPERATIONS OVERVIEW SCREEN

The bars here show the most recent levels for each “station”. Green bars mean stock levels are OK, yellow show that level is below a warning threshold but above the alarm level, and red shows that levels are below an alarm threshold.

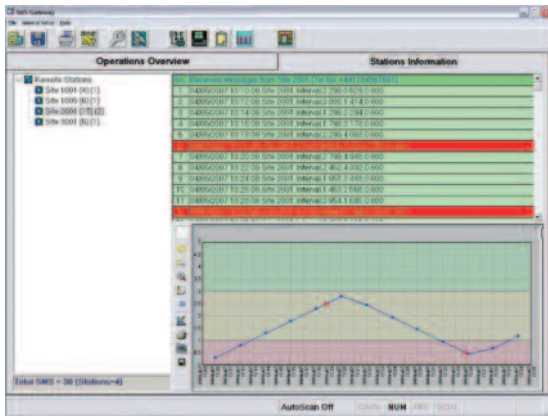
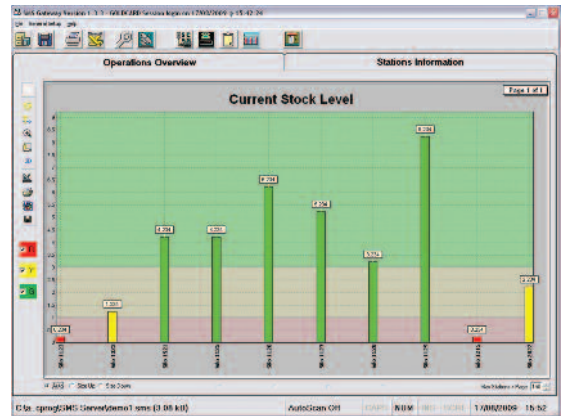


FIGURE 2: STATIONS INFORMATION SCREEN

More detailed information for each station is available here: the type of site, the number of reports received from each site, the number of alarms received are all displayed, and a graph showing the trend data from each station helps decisions to be made on restock frequency etc. All the data can be exported in .csv format for additional analysis or reporting in spreadsheets or other programs.



Technical Specification: Blackbox Modem

PHYSICAL:

Enclosure:	polycarbonate lid, ABS base, IP66/67
Dimensions:	130mm x 180mm x 60mm
Power requirement:	30W max
Transducer:	compatible with the dB range of transducers, 125mm to 40m measurement range
Flammable atmosphere:	Blackbox unit must be mounted in safe area, see transducers data for Zone approvals

Brief Specification: (NB: for full specification see Blackbox specification below):

Blackbox 136:

Level CSO

Pulsar's blackbox 136 CSO is a sophisticated ultrasonic system specifically designed for non-contacting monitoring of level or overflow events, with exceptionally low power consumption to maximise battery life in remote locations and built in data logger.

Blackbox 136 CSO provides a self-contained solution to level and event recording and with the ability to supply a voltage output to an external monitoring or telemetry outstation if required. Blackbox 136 CSO may be programmed to provide level measurement using the optional hand-held calibrator or using Blackbox PC calibrator software, a copy of which is supplied with the unit.

If data logging is a requirement, the optional CSO log software is available both to set up the unit and download and analyse the logged data. The software includes powerful graphing, data analysis, export and print functions so that the history of the site can be easily understood and displayed.

136 CSO may be set to read level continuously, or in order to prolong battery life, may be set to wake up to take readings at user-defined intervals (1-99 minutes). Each data record is internally logged and also supplied as a 0-5v output. On standby, 136 CSO is ready to be polled by an external data logger or telemetry outstation for the retrieval of information.

Wake up intervals may also be varied automatically. For instance, if the level approaches a critical point, the interval between measurements can be reduced or even set to run the system continuously so that more detailed records of the event are available. The new interval will be maintained until the level returns to normal values and then the system reverts back to the previous wake up interval.

Should a weir or other flow structure be available in the CSO then the Blackbox 136 can totalise 'spill volume' through this structure. Not only will the 136 CSO unit log the day, time and duration of any 'spill event' it logs the quantity too.

Flexibility and adaptability to specific site requirements are key features of the 136 CSO system.

Features

- Low power with large internal data log
- Flexible and variable wake up periods
- Can be externally polled for logged data
- Battery life calculator included in CSO Log software



LEVEL CSO MOUNTED ON BATTERY PACK INSIDE A BOLLARD

Blackbox 136 Level CSO

Software

Features

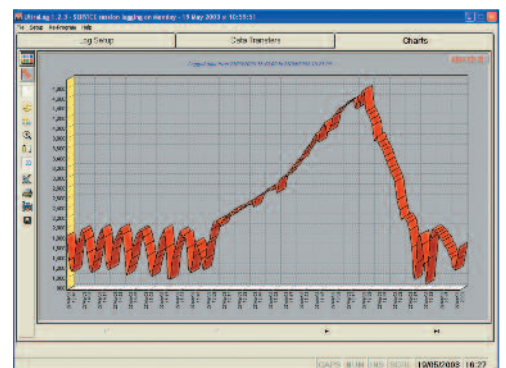
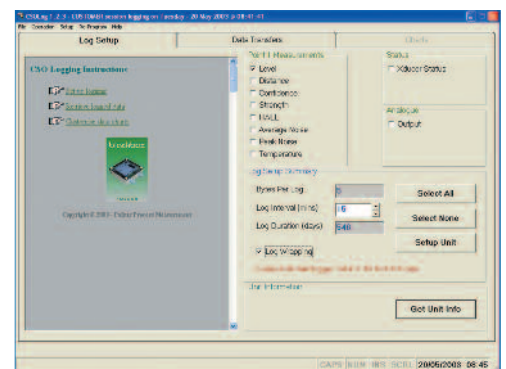
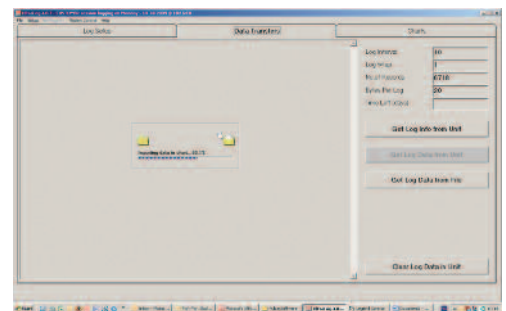
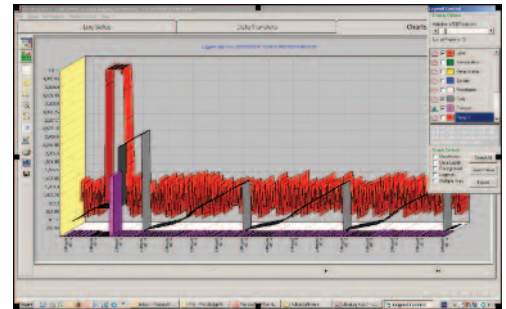
- CSO Log easy set up software optional
- Multi parameter logging feature of level/ day/ time/ duration/volume spill
- Volume of spill over weir calculation included
- Plug in set up and leave

CSO log software is a powerful way to record and manage accumulated data. CSO log software provides both set-up of Blackbox 136 CSO units and the download and analysis of internally logged data for graphing and output. PC connection to the system is from a PC RS232 (COM) via the 136 CSO's on-board RJ11 port.

The 136 CSO unit may be completely calibrated, either in advance or on site. As with all Pulsar equipment, set up parameters are logical and intuitive. All you have to do is set up the physical dimensions of the application and tell the unit what you want to measure and how often. Data logging is flexible; you select the information you wish to log and the logging interval. The unit will let you know how many months storage is available and any aspect of measurement or logging may be adjusted to suit the reporting requirements. Depending on measurement frequency, 136 CSO is easily capable of recording twelve months of data and may be set so that new data overwrites the oldest where required.

Logged site data is downloaded to a PC file through the same cable connection used for programming. In addition, all programming parameters may be downloaded for backup or repeat set up (cloning).

The powerful graphical analysis tools in CSO log software put the story of the site at your fingertips. You can see how all your logged data has varied over time, clearly plotted and available to be "cut and pasted" into a word processor or other reporting program. A standard CSV file may be exported to a spreadsheet or data analysis package or archive.



dB3 WITH DRIP SHIELD
MOUNTED IN CSO CHAMBER

Product Functions

	Blackbox				
	130 Level	133 Level Control	134 Level Comms	135 Level Comms	136 Level CSO
115/230 VAC	•	•	•	•	
10-28v DC	•	•	•	•	•
4-20mA o/p Max 1K	•				
0-5V o/p Min Load 10K		•			•
2 relays 230V, 2A Form C (SPDT)	•	•	•	•	
RS232 RJ11 port	•	•	•	•	•
RS485 Modbus			•		
RS485 Profibus DP V0 or V1				•	
Logging					•



WATERPROOF CONNECTION (TO IP67) MOUNTED ON UNIT'S ENCLOSURE INSTEAD OF RJ11 PORT INSIDE.

Technical Specification: Blackbox

PHYSICAL

Weight:	nominal 0.65Kg
Enclosure:	ABS Base with polycarbonate lid, flammability rating UL94HB
Cable entries:	3xM20 nylon cable glands suitable for 6-12mm cable

ENVIRONMENTAL

IP Rating:	IP66/67
Max/min temperature (electronics):	-20°C - +45°C
Flammable atmosphere approval:	All blackbox units must be mounted in a safe area.

PERFORMANCE

Accuracy:	0.25% of measured range or 6mm (whichever is greater)
Resolution:	0.1% of the measured range or 2mm (whichever is greater)
Range:	Dependent on transducer. Nominally 125mm to 40m. Compatible with all dB transducers

ECHO PROCESSING

DATEM:	(Digital Adaptive Tracking of Echo Movement)
Programming security:	Via Passcode (user selectable)
Programmed data integrity:	Via non-volatile RAM

POWER SUPPLY

115V ac +5% / -10% 50-60Hz
230V ac +5% / -10% 50-60Hz
dc 10-28V
10W maximum power (typically 5W)

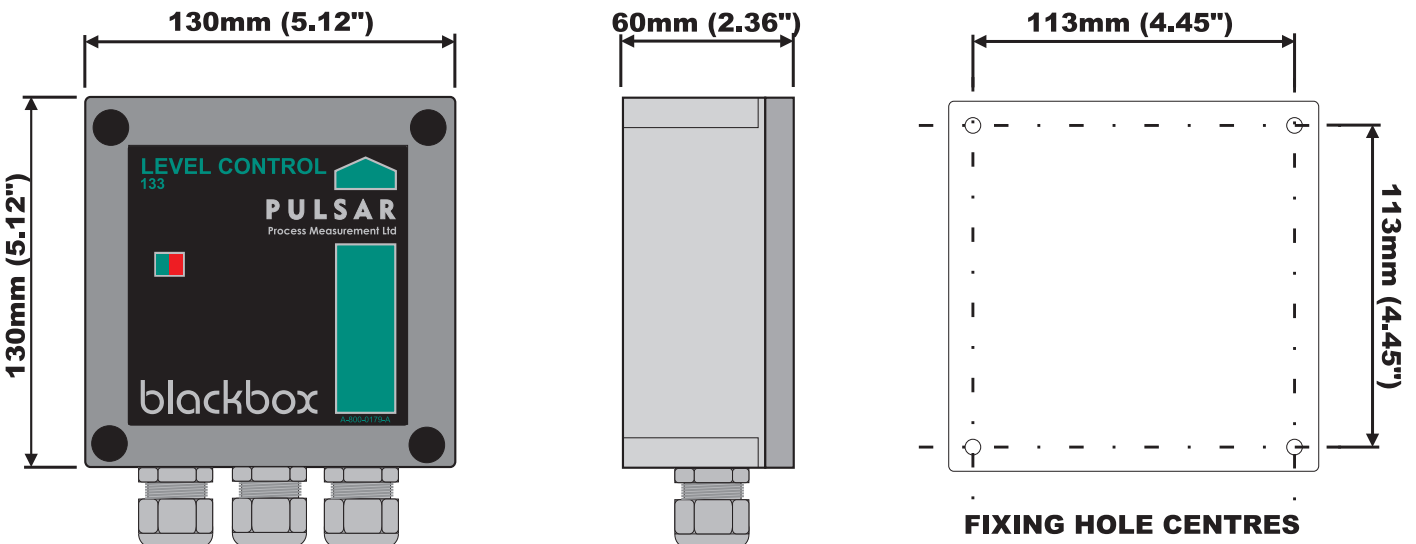
HAND HELD PROGRAMMER

Power supplied via Blackbox RS232 RJ11 connector

FUSES

50mA at 200 - 240V ac
100mA at 90 - 120V ac

Dimensions: Blackbox Standard



Notes:

Pulsar® Process Measurement Ltd.

Cardinal Building
Enigma Commercial Centre
Sandy's Road
Malvern
Worcestershire
WR14 1JJ
England

Tel: +44 (0) 1684 891 371
Fax: +44 (0) 1684 575 985
Email: info@pulsar-pm.com

www.pulsar-pm.com

Pulsar® Process Measurement Inc.

P.O. Box 5177
4565 Commercial Drive
Suite 105
Niceville
FL 32578
USA

Tel: +1 850 279 4882
Fax: +1 850 279 4886
Email: info.usa@pulsar-pm.com



011
sira
Certification Service
ISO 9001:2000
Registered Company
Cert No. 950136



011
sira
Certification Service
ISO 14001:2004
Registered Company
Cert No. 072570



Pulsar Process Measurement Limited operates a policy of constant development and improvement and reserves the right to amend technical details as necessary