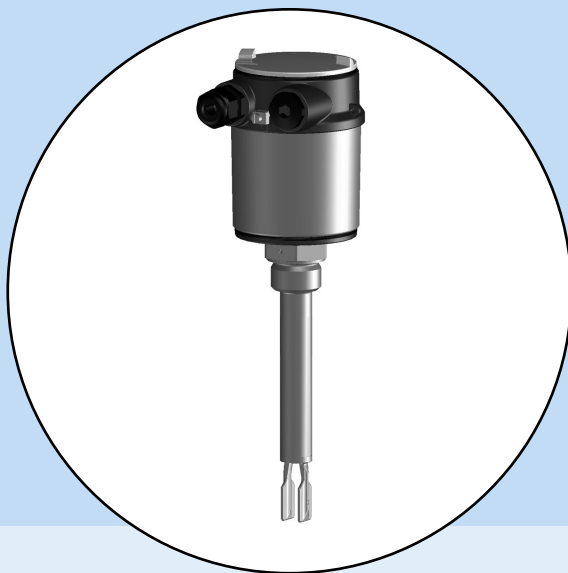


# Operating Instructions

MAN 1000098257 ML Version: A Status: RL (released | freigegeben) printed: 19.08.2008



**LEVEL SWITCH 8112**  
with relay output

## Contents

<b>1</b>	<b>About this document</b>	
1.1	Function . . . . .	5
1.2	Target group . . . . .	5
1.3	Symbolism used . . . . .	5
<b>2</b>	<b>For your safety</b>	
2.1	Authorised personnel . . . . .	6
2.2	Appropriate use . . . . .	6
2.3	Warning about misuse . . . . .	6
2.4	General safety instructions . . . . .	6
2.5	CE conformity . . . . .	6
2.6	SIL conformity . . . . .	7
2.7	Safety instructions for Ex areas . . . . .	7
<b>3</b>	<b>Product description</b>	
3.1	Configuration . . . . .	8
3.2	Principle of operation . . . . .	8
3.3	Operation . . . . .	9
3.4	Storage and transport . . . . .	10
<b>4</b>	<b>Mounting</b>	
4.1	General instructions . . . . .	11
4.2	Mounting instructions . . . . .	14
<b>5</b>	<b>Connecting to power supply</b>	
5.1	Preparing the connection . . . . .	17
5.2	Connection procedure . . . . .	17
5.3	Wiring plan, single chamber housing . . . . .	18
<b>6</b>	<b>Set up</b>	
6.1	In general . . . . .	20
6.2	Adjustment elements . . . . .	20
6.3	Function chart . . . . .	21
<b>7</b>	<b>Maintenance and fault rectification</b>	
7.1	Maintenance . . . . .	23
7.2	Fault rectification . . . . .	23
<b>8</b>	<b>Dismounting</b>	
8.1	Dismounting steps . . . . .	25
8.2	Disposal . . . . .	25

## 9 Supplement

9.1	Technical data. . . . .	26
9.2	Dimensions . . . . .	34

### Supplementary documentation



#### Information:

Depending on the ordered version, supplementary documentation belongs to the scope of delivery. You find this documentation in chapter "*Product description*".

### Instructions manuals for accessories and replacement parts



#### Tip:

To ensure reliable setup and operation of your LEVEL SWITCH 8112, we offer accessories and replacement parts. The associated documents are:

- Operating instructions manual "*Oscillator LEVEL SWITCH 8111/8112*"
- Operating instructions manual "*Lock fitting for LEVEL SWITCH 8112*"

# 1 About this document

## 1.1 Function

This operating instructions manual provides all the information you need for mounting, connection and setup as well as important instructions for maintenance and fault rectification. Please read this information before putting the instrument into operation and keep this manual accessible in the immediate vicinity of the device.

## 1.2 Target group

This operating instructions manual is directed to trained personnel. The contents of this manual should be made available to these personnel and put into practice by them.

## 1.3 Symbolism used



### Information, tip, note

This symbol indicates helpful additional information.



**Caution:** If this warning is ignored, faults or malfunctions can result.

**Warning:** If this warning is ignored, injury to persons and/or serious damage to the instrument can result.

**Danger:** If this warning is ignored, serious injury to persons and/or destruction of the instrument can result.



### Ex applications

This symbol indicates special instructions for Ex applications.



### List

The dot set in front indicates a list with no implied sequence.



### Action

This arrow indicates a single action.



### Sequence

Numbers set in front indicate successive steps in a procedure.

## 2 For your safety

### 2.1 Authorised personnel

All operations described in this operating instructions manual must be carried out only by trained specialist personnel authorised by the operator.

During work on and with the device the required personal protection equipment must always be worn.

### 2.2 Appropriate use

LEVEL SWITCH 8112 is a sensor for level detection.

You can find detailed information on the application range in chapter "*Product description*".

### 2.3 Warning about misuse

Inappropriate or incorrect use of the instrument can give rise to application-specific hazards, e.g. vessel overfill or damage to system components through incorrect mounting or adjustment.

### 2.4 General safety instructions

This is a high-tech instrument requiring the strict observance of standard regulations and guidelines. The user must take note of the safety instructions in this operating instructions manual, the country-specific installation standards as well as all prevailing safety regulations and accident prevention rules.

The instrument must only be operated in a technically flawless and reliable condition. The operator is responsible for trouble-free operation of the instrument.

The user is also obliged to determine, during the entire duration of use, the compliance of the necessary occupational safety measures with the current valid regulations and take note of new regulations.

### 2.5 CE conformity

LEVEL SWITCH 8112 is in CE conformity with EMC (89/336/EWG), fulfils NAMUR recommendation NE 21 and is in CE conformity with LVD (73/23/EWG).

Conformity has been judged according to the following standards:

- EMC:
  - Emission EN 61326/A1: 1998 (class B)
  - Susceptibility EN 61326: 1997/A1:1998
- LVD: EN 61010-1: 1993

## **2.6 SIL conformity**

LEVEL SWITCH 8112 fulfills the requirements to functional safety according to IEC 61508 resp. IEC 61511. You find further information in the Safety Manual "*LEVEL SWITCH*".

## **2.7 Safety instructions for Ex areas**

Please note the Ex-specific safety information for installation and operation in Ex areas. These safety instructions are part of the operating instructions manual and come with the Ex-approved instruments.

**Scope of delivery**

### 3 Product description

#### 3.1 Configuration

The scope of delivery encompasses:

- LEVEL SWITCH 8112 level sensor
- Documentation
  - this operating instructions manual
  - Safety Manual "*Functional safety according to IEC 61508/IEC 61511 (SIL)*"
  - Ex-specific "*Safety instructions*" (with Ex-versions)
  - if necessary, further certificates

**Components**

LEVEL SWITCH 8112 consists of the following components:

- Housing cover
- Housing with electronics
- process fitting with tuning fork

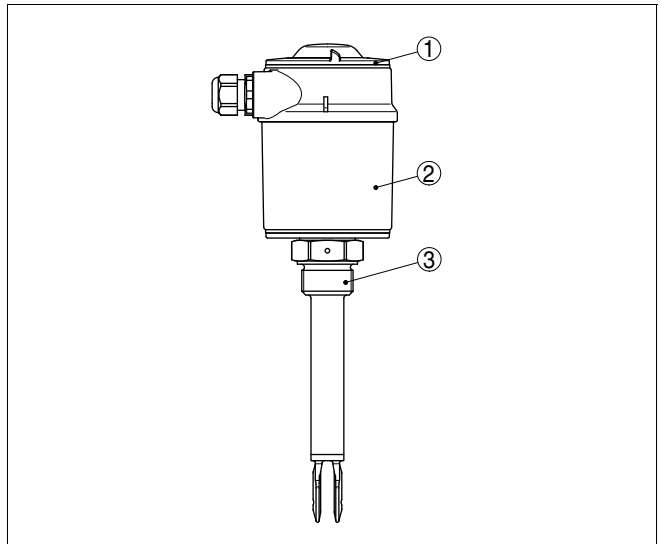


Fig. 1: LEVEL SWITCH 8112 with plastic housing

- 1 Housing cover
- 2 Housing with electronics
- 3 Process fitting

#### 3.2 Principle of operation

**Area of application**

LEVEL SWITCH 8112 is a level sensor with tuning fork for level detection.

## Functional principle

## Supply

It is designed for industrial use in all areas of process technology and can be used in liquids.

Typical applications are overflow and dry run protection. The small tuning fork allows the use in all kind of tanks and vessel. Thanks to its simple and rugged measuring system, LEVEL SWITCH 8112 is virtually unaffected by the chemical and physical properties of the liquid.

It functions even under difficult conditions such as turbulence, air bubbles, foam generation, buildup, strong external vibration or changing products.

### Fault monitoring

The electronics module of LEVEL SWITCH 8112 continuously monitors via frequency evaluation the following criteria:

- Strong corrosion or damage on the tuning fork
- loss of vibration
- Line break to the piezo drive

If a malfunction is detected or in case of power failure, the electronics takes on a defined switching condition, i.e. the relay deenergises (safe condition).

The tuning fork is piezoelectrically energised and vibrates at its mechanical resonance frequency of approx. 1200 Hz. The piezos are fixed mechanically and are hence not subject to temperature shock limitations. The frequency changes when the tuning fork is covered by the medium. This change is detected by the integrated oscillator and converted into a switching command.

LEVEL SWITCH 8112 is a compact instrument, i.e. it can be operated without external evaluation system. The integrated electronics evaluates the level signal and outputs a switching signal. With this switching signal, a connected device can be operated directly (e.g. a warning system, a PLC, a pump etc.).

The data for power supply are stated in chapter "*Technical data*" in the "*Supplement*".

## 3.3 Operation

The switching condition of LEVEL SWITCH 8112 can be checked when the housing is closed (signal lamp). With the basic setting, products with a density  $>0.7 \text{ g/cm}^3$  ( $0.025 \text{ lbs/in}^3$ ) can be detected. The instrument can be adapted if products with lower density should be measured.

**Packaging****Storage and transport temperature**

On the electronics module you will find the following indicating and adjustment elements:

- signal lamp for indication of the switching condition (green/red)
- DIL switch for sensitivity adjustment
- Mode switch for selection of the switching condition (A/B)

**3.4 Storage and transport**

Your instrument was protected by packaging during transport. Its capacity to handle normal loads during transport is assured by a test according to DIN EN 24180.

The packaging of standard instruments consists of environment-friendly, recyclable cardboard. In addition, the sensor is provided with a protective cover of ABS. For special versions PE foam or PE foil is also used. Dispose of the packaging material via specialised recycling companies.

- Storage and transport temperature see "*Supplement - Technical data - Ambient conditions*"
- Relative humidity 20 ... 85 %

## 4 Mounting

### 4.1 General instructions

In general, LEVEL SWITCH 8112 can be mounted in any position. The instrument must be mounted in such a way that the tuning fork is at the height of the requested switching point.

The tuning fork has lateral markings (notches) that indicate the switching point with vertical mounting. The switching point refers to water with the basic setting of the sensitivity switch  $\geq 0.7 \text{ g/cm}^3$  ( $0.025 \text{ lbs/in}^3$ ). When mounting LEVEL SWITCH 8112, make sure that this marking is at the height of the requested switching point. Keep in mind that the switching point of the instrument is shifted if the medium has a density other than water - water  $1 \text{ g/cm}^3$  ( $0.036 \text{ lbs/in}^3$ ). For products  $< 0.7 \text{ g/cm}^3$  ( $0.025 \text{ lbs/in}^3$ ) and  $> 0.5 \text{ g/cm}^3$  ( $0.018 \text{ lbs/in}^3$ ) the density switch must be set to  $\geq 0.5 \text{ g/cm}^3$ .

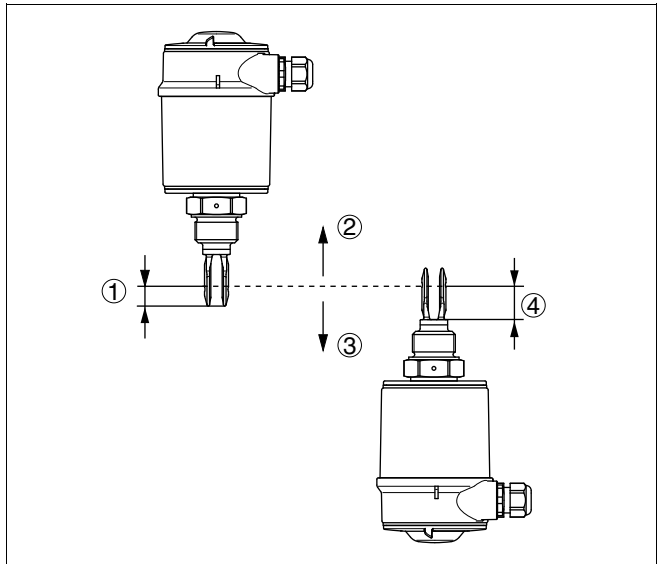


Fig. 2: Vertical mounting

- 1 Switching point approx. 13 mm (0.51 in)
- 2 Switching point with lower density
- 3 Switching point with higher density
- 4 Switching point approx. 27 mm (1.06 in)

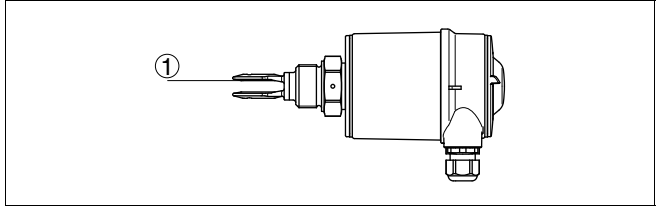


Fig. 3: Horizontal mounting  
1 Switching point

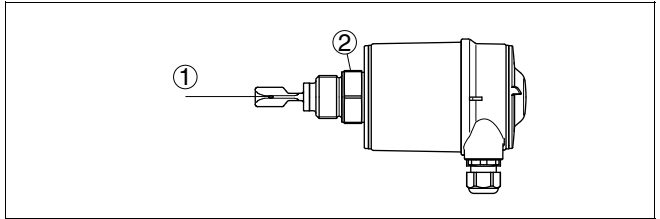


Fig. 4: Vertical installation (recommended installation position, especially for adhesive products)  
1 Switching point  
2 Marking with screwed version on top, with flange versions directed to the flange holes

With flange versions, the fork is directed as follows to the flange holes.

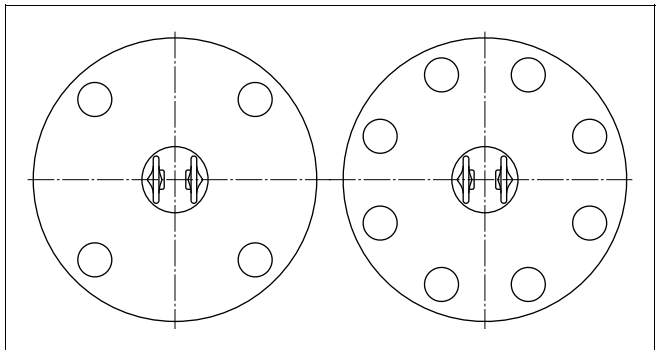


Fig. 5: Fork position with flange versions

**Moisture**

Use the recommended cables (see chapter "Connecting to power supply") and tighten the cable gland.

You can give your LEVEL SWITCH 8112 additional protection against moisture penetration by leading the connection cable downward in front of the cable entry. Rain and condensation

water can thus drain off. This applies mainly to mounting outdoors, in areas where moisture is expected (e.g. by cleaning processes) or on cooled or heated vessels.

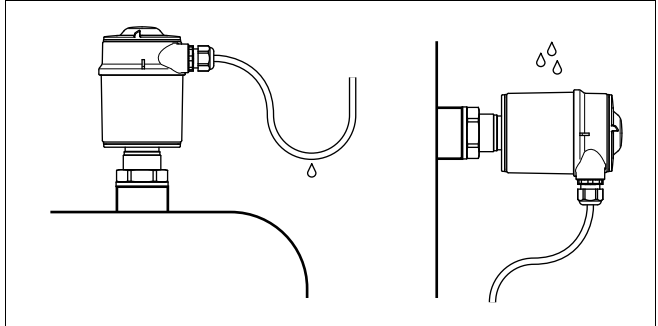


Fig. 6: Measures against moisture penetration

## Transport

Do not hold LEVEL SWITCH 8112 on the tuning fork. Particularly with flange or tube versions, the tuning fork can be damaged just by the weight of the instrument. Transport coated instruments very carefully and avoid touching the tuning fork.

Remove the protective cover just before mounting.

## Pressure/Vacuum

The process fitting must be sealed if there is gauge or low pressure in the vessel. Before use, check if the seal material is resistant against the measured product and the process temperature.

The max. permissible pressure is stated in chapter "*Technical data*" in the "*Supplement*" or on the type label of the sensor.

## Handling

The vibrating level switch is a measuring instrument and must be treated accordingly. Bending the vibrating element will destroy the instrument.



### Warning:

The housing must not be used to screw the instrument in! Applying tightening force on the housing can damage its rotational mechanical parts.

To screw in, use the hexagon above the thread.

## 4.2 Mounting instructions

LEVEL SWITCH 8112 has a defined thread starting point. This means that every LEVEL SWITCH 8112 is in the same fork position after being screwed in. Remove therefore the supplied seal from the thread of LEVEL SWITCH 8112. This seal is not required when using a welded socket with O-ring in front.

Keep in mind that this welded socket is not suitable for coated instrument versions.

Screw LEVEL SWITCH 8112 completely into the welded socket. The later position can be determined already before welding. Mark the appropriate position of the welded socket. Before welding, unscrew LEVEL SWITCH 8112 and remove the rubber ring from the welded socket. The welded socket has a marking (notch). Weld the socket with the notch facing upward, or in case of pipelines, aligned with the direction of flow.

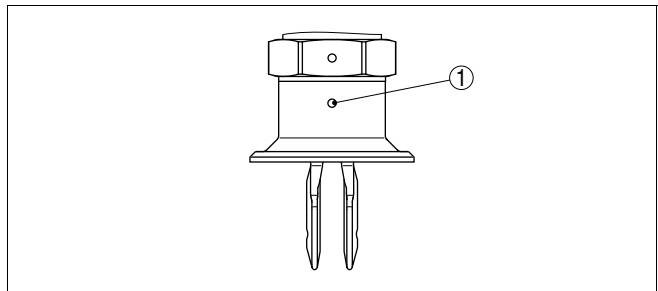


Fig. 7: Marking on the welded socket  
1 Marking

### Adhesive products

In case of horizontal mounting in adhesive and viscous products, the surfaces of the tuning fork should be vertical in order to reduce buildup on the tuning fork. On the screwed version you will find a marking on the hexagon. With this, you can check the position of the tuning fork when screwing it in. When the hexagon touches the seal, the thread can still be turned by approx. half a turn. This is sufficient to reach the recommended installation position.

With flange versions, the fork is directed to the flange holes.

When used in adhesive and viscous products, the tuning fork should protrude into the vessel to avoid buildup. For that reason, sockets for flanges and mounting bosses should be avoided when mounting horizontally.

## Inflowing medium

If LEVEL SWITCH 8112 is mounted in the filling stream, unwanted mismeasurements may result. Mount LEVEL SWITCH 8112 at a location in the vessel where no disturbing influence from e.g. filling openings, agitators, etc. can occur.

This applies particularly to instrument types with long extension tube.

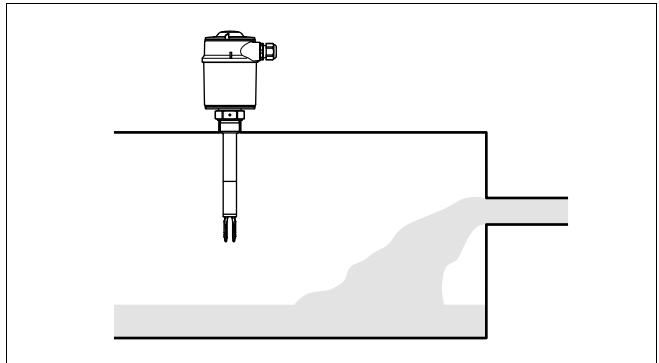


Fig. 8: Inflowing medium

## Flows

To minimise flow resistance caused by the tuning fork, LEVEL SWITCH 8112 should be mounted in such a way that the surfaces of the blades are parallel to the product movement.

## Agitators

Due to the effects of agitators, equipment vibration or similar, the level switch can be subjected to strong lateral forces. For this reason, do not use an overly long extension tube for LEVEL SWITCH 8112, but check if you can mount a level switch on the side of the vessel in horizontal position.

Extreme vibration caused by the process or the equipment, e. g. agitators or turbulence in the vessel can cause the extension tube of LEVEL SWITCH 8112 to vibrate in resonance. This leads to increased stress on the upper weld joint. Should a longer tube version be necessary, you can provide a suitable support or guy directly above the tuning fork to secure the extension tube.



This measure applies particularly to applications in Ex areas category 1G or WHG. Make sure that the tube is not bent by this measure.

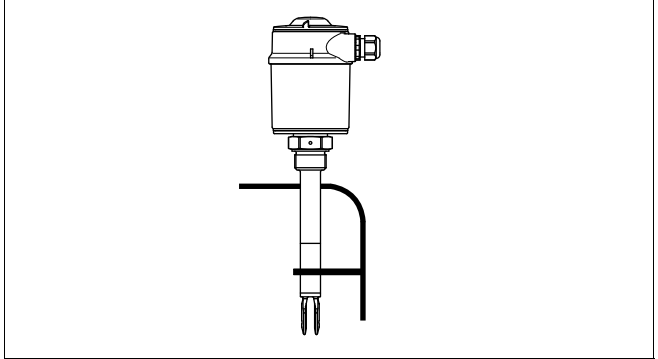
**Enamel coating**

Fig. 9: Lateral straining of LEVEL SWITCH 8112

Instruments with enamel coating should be treated very carefully and shocks should be avoided. Unpack LEVEL SWITCH 8112 directly before installation. Insert LEVEL SWITCH 8112 carefully into the vessel opening and avoid touching any sharp vessel parts.

## 5 Connecting to power supply

### 5.1 Preparing the connection

Always keep in mind the following safety instructions:

- Connect only in the complete absence of line voltage

In hazardous areas you should take note of the appropriate regulations, conformity and type approval certificates of the sensors and power supply units.



Connect the power supply according to the following diagrams. Oscillator SWE60R is designed in protection class 1. To maintain this protection class, it is absolutely necessary that the ground conductor be connected to the internal ground terminal. Take note of the general installation regulations. As a rule, connect LEVEL SWITCH 8112 to vessel ground (PA), or in case of plastic vessels, to the next ground potential. On the side of the housing there is a ground terminal between the cable entries. This connection serves to drain off electrostatic charges. In Ex applications, the installation regulations for hazardous areas must be given priority.

The data for power supply are stated in chapter "*Technical data*" in the "*Supplement*".

LEVEL SWITCH 8112 is connected with standard cable with round cross section. An outer cable diameter of 5 ... 9 mm (0.2 ... 0.35 in) ensures the seal effect of the cable gland.

If cable with a different diameter or wire cross section is used, exchange the seal or use an appropriate cable connection.

In hazardous areas, only use approved cable connections for LEVEL SWITCH 8112.



Take note of the corresponding installation regulations for Ex applications.



MAN 100008257 ML Version: A Status: RL (released for printing) printed: 09.08.2008

**Note safety instructions**

**Take note of safety instructions for Ex applications**

**Select power supply**

**Selecting connection cable**

**Select connection cable for Ex applications**

### 5.2 Connection procedure

With Ex instruments, the housing cover may only be opened if there is no explosive atmosphere present.



Proceed as follows:

**Electronics and connection compartment**

- 1 Unscrew the housing cover
  - 2 Loosen compression nut of the cable entry
  - 3 Remove approx. 10 cm (4 in) of the cable mantle, strip approx. 1 cm (0.4 in) insulation from the ends of the individual wires
  - 4 Insert the cable into the sensor through the cable entry
  - 5 Open the terminals with a screwdriver
  - 6 Insert the wire ends into the open terminals according to the wiring plan
  - 7 Tighten the terminals with a screwdriver
  - 8 Check the hold of the wires in the terminals by lightly pulling on them
  - 9 Tighten the compression nut of the cable entry. The seal ring must completely encircle the cable
  - 10 Screw the housing cover back on
- The electrical connection is finished.

**5.3 Wiring plan, single chamber housing**

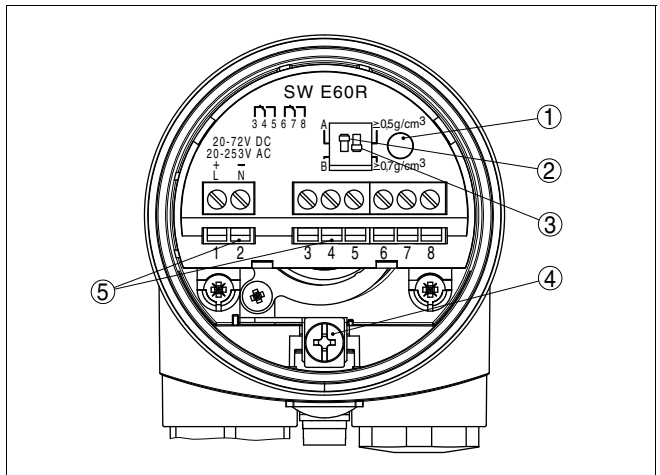


Fig. 10: Electronics and connection compartment, single chamber housing

- 1 Control lamp
- 2 DIL switch for mode adjustment
- 3 DIL switch for switching point adaptation
- 4 Ground terminal
- 5 Screwed terminals

## Wiring plan

MAN 1000098257 ML Version: A Status: RL (released / freigegeben) printed: 19.08.2008

We recommend connecting LEVEL SWITCH 8112 in such a way that the switching circuit is open when there is a level signal, line break or failure (safe condition).

The relays are always shown in non-operative condition.

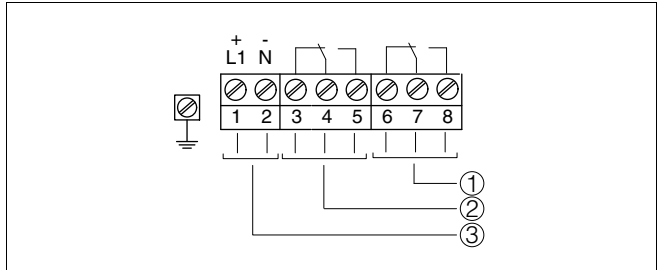


Fig. 11: Wiring plan, single chamber housing

- 1 Relay output
- 2 Relay output
- 3 Voltage supply

**Function/Configuration**

## 6 Set up

### 6.1 In general

The numbers in brackets refer to the following illustrations.

The switching condition of the electronics can be checked with closed housing cover (control lamp). In the basic setting, products with a density  $>0.7 \text{ g/cm}^3$  ( $0.025 \text{ lbs/in}^3$ ) can be detected. For products with lower density, the switch must be set to  $>0.5 \text{ g/cm}^3$  ( $0.018 \text{ lbs/in}^3$ ).

On the electronics module you will find the following indicating and adjustment elements:

- Signal lamp (1)
- DIL switch for mode adjustment - A/B (2)
- DIL switch for sensitivity adjustment (3)



**Note:**

For test purposes, immerse the tuning fork of LEVEL SWITCH 8112 always in liquids. Do not test the function of LEVEL SWITCH 8112 with the hand. This can damage the sensor.

### 6.2 Adjustment elements

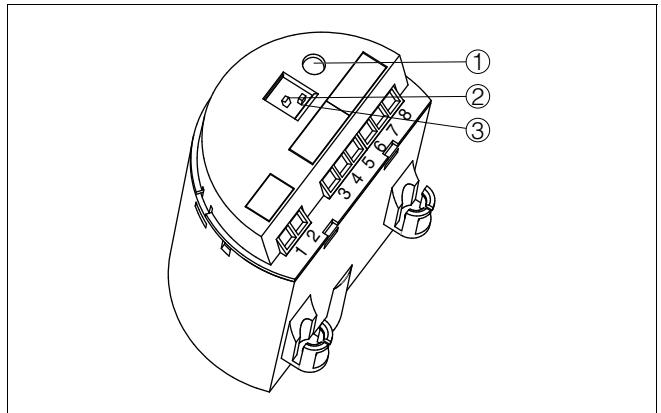


Fig. 12: Oscillator SWE60R - Relay output

- 1 Signal lamp (LED)
- 2 DIL switch for mode adjustment
- 3 DIL switch for sensitivity adjustment

### Signal lamp (1)

Control lamp (LED) for indication of the switching status.

- green = relay energized
- red = relay deenergized
- red (flashing) = failure

### Mode adjustment (2)

With the mode adjustment (A/B) you can change the switching condition of the relay. You can set the required mode according to the "Function chart" (A - max. detection or overflow protection, B - min. detection or dry run protection).

### Sensitivity adjustment (3)

With this DIL switch (3) you can set the switching point to liquids having a density between 0.5 and 0.7 g/cm<sup>3</sup> (0.018 and 0.025 lbs/in<sup>3</sup>). With the basic setting, liquids with a density of >0.7 g/cm<sup>3</sup> (0.025 lbs/in<sup>3</sup>) can be detected. In liquids with lower density, you must set the switch to >0.5 g/cm<sup>3</sup> (0.018 lbs/in<sup>3</sup>). The specifications for the position of the switching point relate to water - density value 1 g/cm<sup>3</sup> (0.036 lbs/in<sup>3</sup>). In products with a different density, the switching point will shift in the direction of the housing or tuning fork end depending on the density and type of installation.

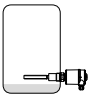






Keep in mind that foams with a density >0.45 g/cm<sup>3</sup> (0.016 lbs/in<sup>3</sup>) are detected by the sensor. This can cause faulty switchings particularly when used as dry run protection system.

## 6.3 Function chart

The following chart provides an overview of the switching conditions depending on the adjusted mode and level.

	Level	Switching status	Control lamp
Mode A Overflow protection		 Relay energized	 Green
Mode A Overflow protection		 Relay deenergized	 Red
Mode B Dry run protection		 Relay energized	 Green

MAN 1000098257 ML Version: A Status: RL (released | freigegeben) printed: 19.08.2008

	Level	Switching status	Control lamp
Mode B Dry run protection		 Relay deenergized	 Red
Failure of the supply voltage (mode A/B)	any	 Relay deenergized	
Failure	any	 Relay deenergized	 flashes red

## 7 Maintenance and fault rectification

### 7.1 Maintenance

When used as directed in normal operation, LEVEL SWITCH 8112 is completely maintenance free.

### 7.2 Fault rectification

LEVEL SWITCH 8112 offers maximum reliability. Nevertheless faults can occur during operation. These may be caused by the following, e.g.:

- Sensor
- Process
- Supply
- Signal processing

The first measure to be taken is to check the output signal. In many cases, the causes can be determined this way and the faults rectified.

#### Causes of malfunction

#### Fault clearance

#### Checking the switching signal

- ? LEVEL SWITCH 8112 signals "covered" when the vibrating element is not submerged (overflow protection)
- ? LEVEL SWITCH 8112 signals "uncovered" when the vibrating element is submerged (dry run protection)
  - Supply voltage too low
    - Check the power supply
  - Electronics module defective
    - Press the mode switch (min./max.). If the instrument then changes the mode, the instrument may be mechanically damaged. Should the switching function in the correct mode still be faulty, return the instrument for repair.
    - Push the mode switch. If the instrument then does not change the mode, the oscillator may be defective. Exchange the oscillator.
    - Check if there is buildup on the vibrating element, and if so, remove it.
  - Unfavourable installation location
    - Mount the instrument at a location in the vessel where no dead zones or air bubbles can form.

- Wrong mode selected
  - Set the correct mode on the mode switch (max.: overflow protection,min.: dry run protection). Wiring should be carried out according to the quiescent current principle.
- ? Signal lamp flashes red
  - Electronics has detected a failure
    - Exchange instrument or return instrument for repair
- ? The signal lamp flashes alternately red and green
  - instrument defective
    - Exchange instrument or return instrument for repair

## 8 Dismounting

### 8.1 Dismounting steps

**Warning:**

Before dismounting, be aware of dangerous process conditions such as e.g. pressure in the vessel, high temperatures, corrosive or toxic products etc.

Take note of chapters "*Mounting*" and "*Connecting to power supply*" and carry out the listed steps in reverse order.



With Ex instruments, the housing cover may only be opened if there is no explosive atmosphere present.

### 8.2 Disposal

The instrument consists of materials which can be recycled by specialised recycling companies. We use recyclable materials and have designed the electronics to be easily separable.

**WEEE directive 2002/96/EG**

This instrument is not subject to the WEEE directive 2002/96/EG and the respective national laws (in Germany, e.g. ElektroG). Pass the instrument directly on to a specialised recycling company and do not use the municipal collecting points. These may be used only for privately used products according to the WEEE directive.

Correct disposal avoids negative effects to persons and environment and ensures recycling of useful raw materials.

Materials: see chapter "*Technical data*"

If you cannot dispose of the instrument properly, please contact us about disposal methods or return.

## 9 Supplement

### 9.1 Technical data

#### General data

Material 316L corresponds to 1.4404 or 1.4435

Materials, wetted parts

- Process fitting - thread 316L, Hastelloy C4 (2.4602)
- Process fitting - flange 316L, 316L with Hastelloy C4 coating, steel enamelled, 316L with ECTFE coating, 316L with PFA coating
- Process seal Klingersil C-4400
- Tuning fork 316L, Hastelloy C4 (2.4610)
- Extension tube  $\varnothing$  21.3 mm (0.84 in) 316L, Hastelloy C4 (2.4610), Hastelloy C4 (2.4610) enamelled, 316L with ECTFE coating, 316L with PFA coating

Materials, non-wetted parts

- Housing plastic PBT (Polyester)
- Seal between housing and housing cover EPDM
- Ground terminal 316L
- Temperature adapter (optional) 316L
- Gas-tight leadthrough (optional) 316L/glass

Lengths

- 316L, Hastelloy C4 (2.4610) 80 ... 6000 mm (3.15 ... 236.22 in)
- Hastelloy C4 (2.4610) enamelled 80 ... 1500 mm (3.15 ... 59.055 in)
- 316L, ECTFE coated 80 ... 3000 mm (3.15 ... 118.11 in)
- 316L, PFA coated 80 ... 3000 mm (3 ... 118 in)

Weights

- Plastic housing approx. 850 g (30 oz)
- Tube extension approx. 920 g/m (10 oz/ft)

Layer thickness

- Enamel approx. 0.8 mm (0.03 in)
- ECTFE approx. 0.5 mm (0.02 in)
- PFA approx. 0.5 mm (0.02 in)

## Surface quality

- Standard  $R_a$  approx.  $3 \mu\text{m}$  ( $1.18^{-4}$  in)
- Hygienic version (3A)  $R_a < 0.8 \mu\text{m}$  ( $3.15^{-5}$  in)
- Hygienic version (3A)  $R_a < 0.3 \mu\text{m}$  ( $1.18^{-5}$  in)

## Process fittings

- Thread G $\frac{3}{4}$  A,  $\frac{3}{4}$  NPT, G1 A, 1 NPT
- Flanges DIN from DN 25, ANSI from 1"
- Hygienic fittings Bolting DN 40 PN 40, Tri-Clamp 1", Tri-Clamp 1½" PN 10, conus DN 25 PN 40, Tuchenhausen Varivent DN 50 PN 10

## High voltage test (enamel)

max. 5 KV

## Gas-tight leadthrough (optional)

- Leakage rate  $< 10^{-6}$  mbar l/s
- Pressure resistance PN 64
- Hygienic fittings Bolting DN 40 PN 40, Tri-Clamp 1", Tri-Clamp 1½" PN 10, conus DN 25 PN 40, Tuchenhausen Varivent DN 50 PN 10

**Output variable**

Output Relay output (DPDT), 2 floating spdts

## Turn-on voltage

- Min. 10 mV
- Max. 253 V AC, 253 V DC

## Switching current

- Min. 10  $\mu\text{A}$
- Max. 3 A AC, 1 A DC

## Breaking capacity

- Min. 50 mW
  - Max. 750 VA AC, 54 W DC
- If inductive loads or stronger currents are switched through, the gold plating on the relay contact surface will be permanently damaged. The contact is then no longer suitable for switching low-level signal circuits.

## Contact material (relay contacts)

AgNi or AgSnO and Au plated

Modes (adjustable)

- A Max. detection or overflow/overflow protection
- B Min. detection or dry run protection

**Measuring accuracy**

Deviation ±1 mm (±0.04 in)

**Influence of the process temperature on the switching point**

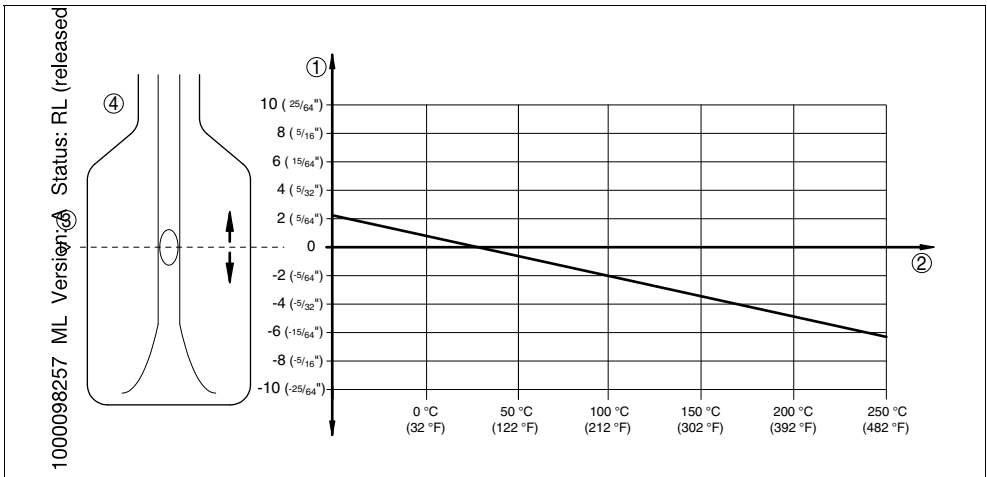


Fig. 26A Influence of the process temperature on the switching point

- 1 Shifting of the switching point in mm (in)
- 2 Process temperature in °C (°F)
- 3 Switching point at reference conditions (notch)
- 4 Tuning fork

**Influence of the product density on the switching point**

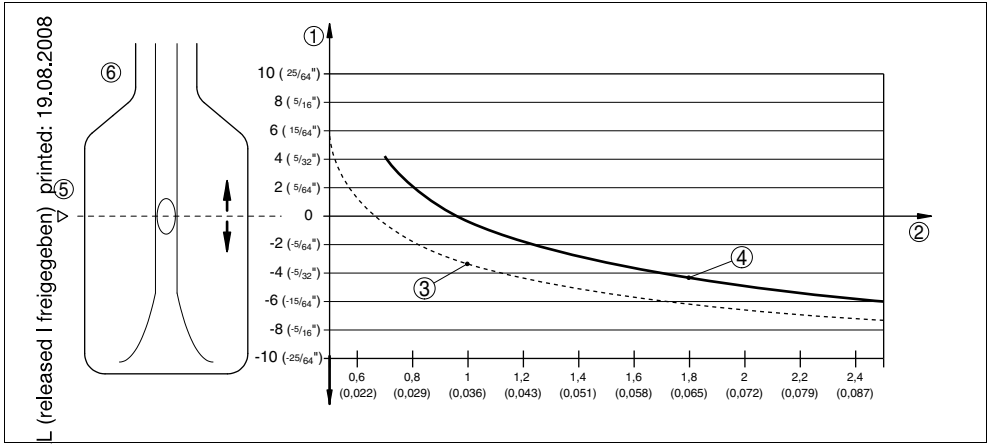


Fig. 27: Influence of the product density on the switching point

- 1 shifting of the switching point in mm (in)
- 2 Product density in g/cm<sup>3</sup> (lb/in<sup>3</sup>)
- 3 Switch position 0.5 g/cm<sup>3</sup> (corresponds to 0.018 lb/in<sup>3</sup>)
- 4 Switch position 0.7 g/cm<sup>3</sup> (corresponds to 0.025 lb/in<sup>3</sup>)
- 5 switching point at reference conditions (notch)
- 6 Tuning fork

**Influence of the process pressure to the switching point**

MAN 100009825 ML

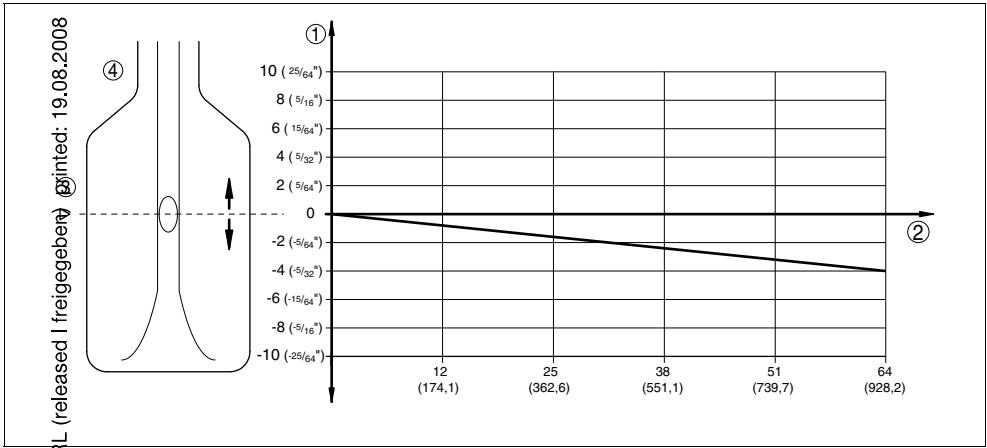


Fig. 28 Influence of the process pressure to the switching point

- 1 Switching of the switching point in mm (in)
- 2 Process pressure in bar (psi)
- 3 Switching point at reference conditions (notch)
- 4 Tuning fork

Repeatability	0.1 mm (0.004 in)
Hysteresis	approx. 2 mm (0.08 in) with vertical installation
Switching delay	approx. 500 ms (on/off)
Frequency	approx. 1200 Hz

**Ambient conditions**

Ambient temperature on the housing	-40 ... +70 °C (-40 ... +158 °F)
Storage and transport temperature	-40 ... +80 °C (-40 ... +176 °F)

**Process conditions**

Parameter	Limit level of liquids
Process pressure	-1 ... 64 bar (-14.5 ... 938 psi) depending on the process fitting, e.g. flange (see following diagrams)
LEVEL SWITCH 8112 of 316L/Hastelloy C4 (2.4610)	-50 ... +150 °C (-58 ... +302 °F)

Process temperature (thread or flange temperature) with temperature adapter (option)

- LEVEL SWITCH 8112 of 316L/  
Hastelloy C4 -50 ... +250 °C (-58 ... +482 °F)
- LEVEL SWITCH 8112 enamelled -50 ... +200 °C (-58 ... +392 °F)
- LEVEL SWITCH 8112 with ECTFE coating -50 ... +150 °C (-58 ... +302 °F)
- LEVEL SWITCH 8112 with PFA coating -50 ... +150 °C (-58 ... +302 °F)

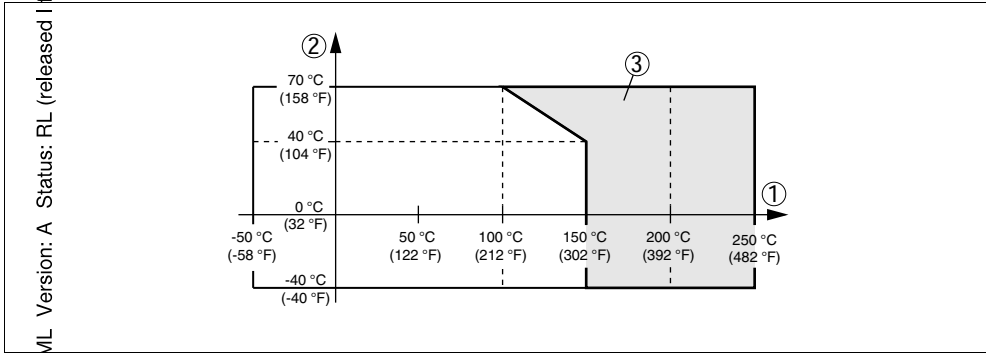


Fig. 29: Ambient temperature - Process temperature

- 1 Process temperature in °C (°F)
- 2 Ambient temperature in °C (°F)
- 3 temperature range with temperature adapter

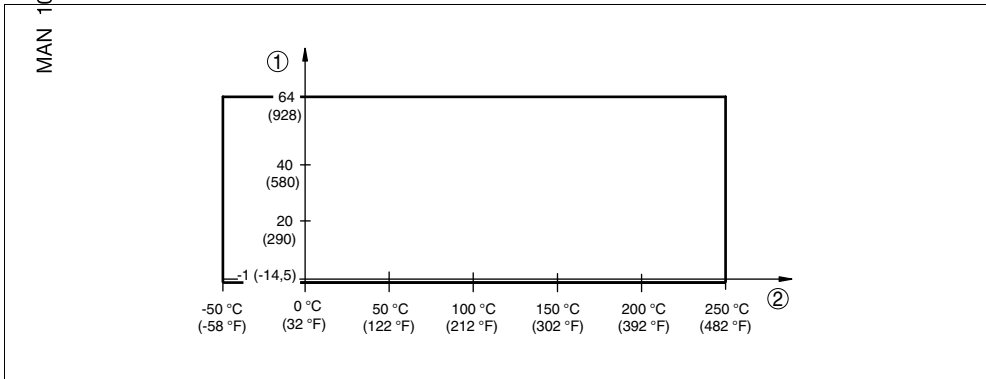


Fig. 30: Process temperature - Process pressure with switch position 0.7 g/cm<sup>3</sup> (mode switch)

- 1 Process pressure in bar (psi)
- 2 Process temperature in °C (°F)



## Density switch

– 0.5	0.5 ... 2.5 g/cm <sup>3</sup> (0.018 ... 0.9 oz/in <sup>3</sup> )
– 0.7	0.7 ... 2.5 g/cm <sup>3</sup> (0.025 ... 0.9 oz/in <sup>3</sup> )

**Voltage supply**

Supply voltage	20 ... 253 V AC, 50/60 Hz, 20 ... 72 V DC (at U >60 V DC, the ambient temperature can be max. 50 °C/122 °F)
Power consumption	1 ... 8 VA (AC), approx. 1.3 W (DC)

**Electrical protective measures**

Protection	IP 66/IP 67
Overvoltage category	III
Protection class	I

MAN 1000098257 ML Version: A Status: P  
 (reached) (Vireigen) (9.08.2008)

## 9.2 Dimensions

### LEVEL SWITCH 8112

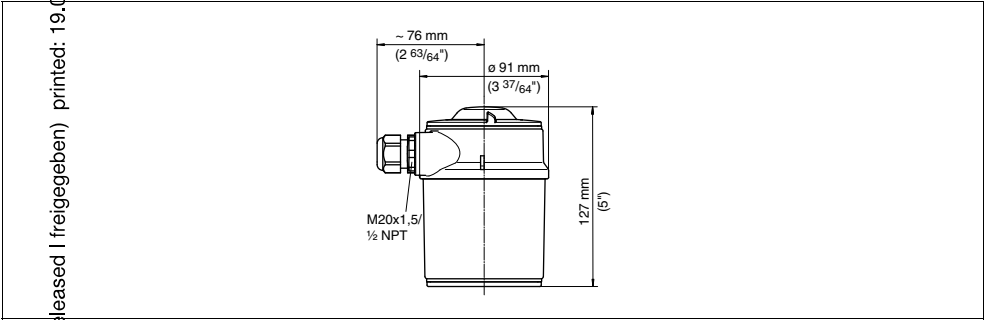


Fig. 32 Housing

MAN 1000098257 ML Version: A Status: P1 (released | freigegeben) printed: 19.08.2008

**LEVEL SWITCH 8112**

MAN 1000098257 ML Version: A Status: RL (released | freigegeben) printed: 19.08.2008

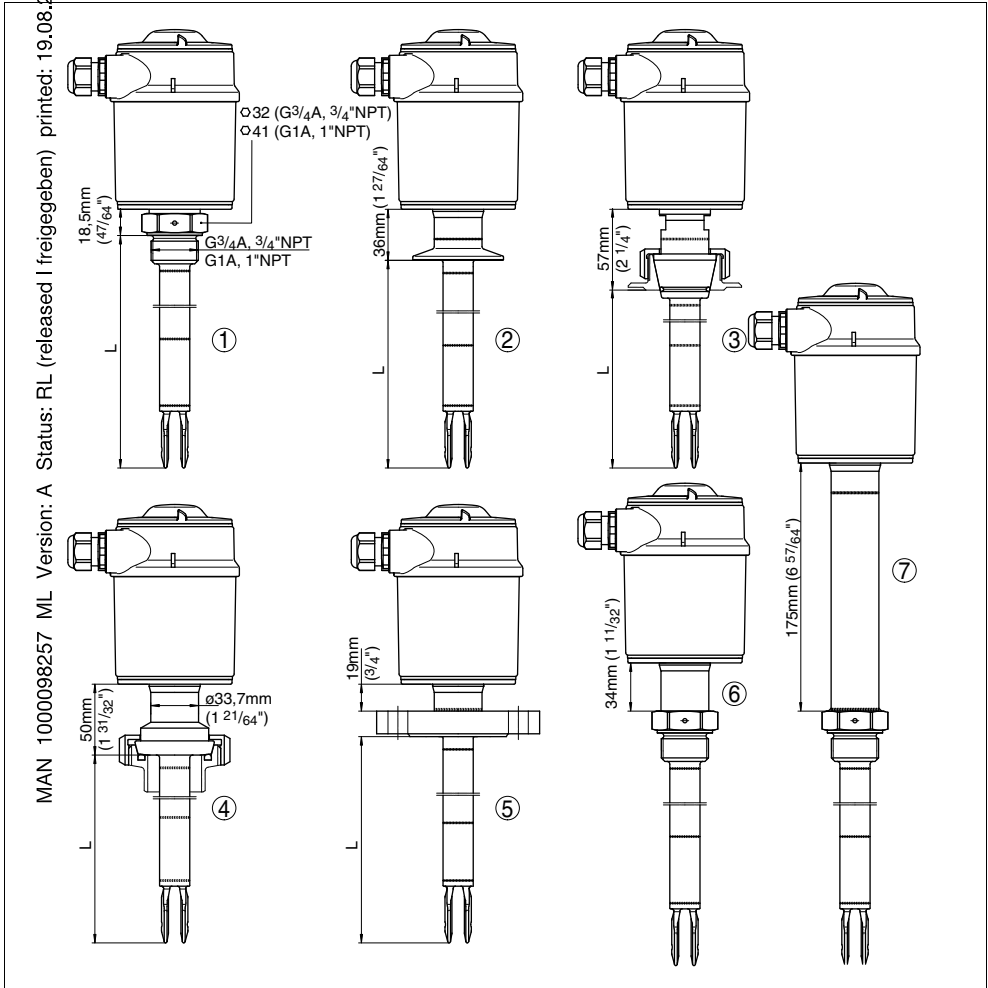


Fig. 33: LEVEL SWITCH 8112

- 1 Thread
- 2 Tri-Clamp
- 3 Cone DN 25
- 4 Bolting DN 40
- 5 Flange
- 6 Gas-tight leadthrough
- 7 Temperature adapter
- L = Sensor length, see chapter "Technical data"

MAN 1000098257 ML Version: A Status: RL (released | freigegeben) printed: 19.08.2008

MAN 1000098257 ML Version: A Status: RL (released | freigegeben) printed: 19.08.2008

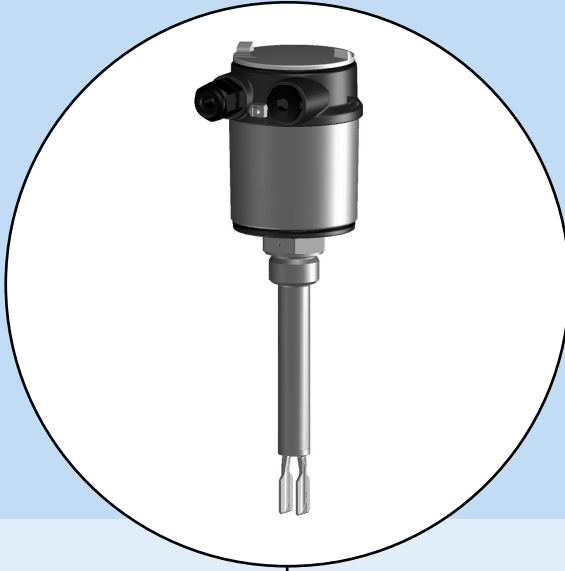
The smart choice  
of Fluid Control Systems  
[www.buerkert.com](http://www.buerkert.com)

**bürkert**  
Fluid Control Systems

Subject to change without prior notice  
© Bürkert-Werke GmbH & Co. KG

32050-EN-070614

# Mise en service



**LEVEL SWITCH 8112**

avec sortie relais

## Sommaire

<b>1 A propos de cette notice technique</b>	
1.1 Fonctionnement . . . . .	5
1.2 Personnes concernées . . . . .	5
1.3 Symbolique utilisée . . . . .	5
<b>2 Pour votre sécurité</b>	
2.1 Personnel autorisé . . . . .	7
2.2 Définition de l'application . . . . .	7
2.3 Avertissement en cas de fausse manipulation ..	7
2.4 Consignes de sécurité générales . . . . .	7
2.5 Conformité CE . . . . .	8
2.6 Conformité SIL . . . . .	8
2.7 Consignes de sécurité pour atmosphères Ex. . .	8
<b>3 Description de l'appareil</b>	
3.1 Présentation . . . . .	9
3.2 Procédé de fonctionnement . . . . .	10
3.3 Réglage et configuration . . . . .	11
3.4 Stockage et transport. . . . .	11
<b>4 Montage</b>	
4.1 Remarques générales . . . . .	12
4.2 Instructions de montage . . . . .	15
<b>5 Raccordement à la tension d'alimentation</b>	
5.1 Préparation du raccordement . . . . .	18
5.2 Etapes de raccordement . . . . .	19
5.3 Schéma de raccordement du boîtier à chambre unique . . . . .	20
<b>6 Mise en service</b>	
6.1 Généralités . . . . .	21
6.2 Eléments de réglage . . . . .	22
6.3 Tableau de fonctionnement . . . . .	23
<b>7 Entretien de l'appareil et élimination des défauts</b>	
7.1 Maintenance . . . . .	24
7.2 Eliminer les défauts . . . . .	24
<b>8 Démontage</b>	
8.1 Etapes de démontage . . . . .	26
8.2 Recyclage . . . . .	26

**9 Annexe**

9.1	Caractéristiques techniques .....	27
9.2	Encombrement .....	35

**Documentation complémentaire****Information:**

Suivant la version commandée, une documentation complémentaire fera partie de la livraison. Elle vous sera indiquée au chapitre "*Description de l'appareil*".

**Notices d'instructions pour accessoires et pièces de remplacement****Indication:**

Pour une application et un fonctionnement sûrs de votre LEVEL SWITCH 8112, nous vous proposons des accessoires et pièces de rechange dont en voici les documentations :

- Notice de mise en service "*Préamplificateur LEVEL SWITCH 8111/8112*"
- Notice de mise en service "*Raccord d'arrêt pour LEVEL SWITCH 8112*"

# 1 A propos de cette notice technique

## 1.1 Fonctionnement

La présente notice technique contient les informations nécessaires vous permettant un montage, un raccordement et une mise en service de l'appareil ainsi que des remarques importantes concernant l'entretien et l'élimination des défauts. Il est donc important de la lire avant d'effectuer la mise en service et de la conserver tout près de l'appareil, accessible à tout moment en tant que partie intégrante du produit .

## 1.2 Personnes concernées

Cette notice technique s'adresse à un personnel spécialisé et qualifié. Ces spécialistes doivent avoir connaissance de son contenu et le mettre en pratique.

## 1.3 Symbolique utilisée



### Informations, remarques

Sous ce symbole, vous trouverez des informations complémentaires très utiles.



**Prudence** : Le non-respect de cette recommandation peut entraîner des pannes ou des défauts de fonctionnement.

**Avertissement** : Le non-respect de cette instruction peut porter préjudice à la personne manipulant l'appareil et/ou peut entraîner de graves dommages à l'appareil.

**Danger** : Le non-respect de cet avertissement peut entraîner des blessures sérieuses à la personne manipulant l'appareil et/ou peut détruire l'appareil.



### Applications Ex

Vous trouverez à la suite de ce symbole des remarques particulières concernant les applications Ex.



### Liste

Ce point précède une énumération, dont l'ordre chronologique n'est pas obligatoire.



### Etape de déroulement d'une action

Cette flèche indique le pas de déroulement d'une action.

MAN 1000098257 ML Version: A Status: RL (released | freigegeben) printed: 19.08.2008

## 1 **Chronologie de déroulement d'une action**

Le déroulement d'une action est numéroté dans son ordre chronologique.

## 2 Pour votre sécurité

### 2.1 Personnel autorisé

Toutes les manipulations sur l'appareil indiquées dans cette notice ne doivent être effectuées que par un personnel qualifié, spécialisé et autorisé par l'exploitant de l'installation.

Portez toujours l'équipement de protection personnel nécessaire en travaillant sur et avec l'appareil.

### 2.2 Définition de l'application

L'appareil LEVEL SWITCH 8112 est un capteur destiné à la détection de niveau.

Vous trouverez des informations plus détaillées concernant le domaine d'application au chapitre "*Description de l'appareil*".

### 2.3 Avertissement en cas de fausse manipulation

En cas d'usage non conforme, il peut émaner de l'appareil des risques spécifiques à l'application. Un montage incorrect ou un réglage erroné peut entraîner par exemple un débordement de cuve ou des dégâts dans l'installation.

### 2.4 Consignes de sécurité générales

L'appareil correspond à l'état actuel de la technique en respectant les règlements et directives usuelles. L'utilisateur doit suivre les consignes de sécurité de cette notice, les standards d'installation spécifiques au pays concerné ainsi que les dispositions de sécurité et préventions d'accidents en vigueur.

L'appareil ne doit fonctionner que dans un état technique impeccable et sûr. L'exploitant est responsable du fonctionnement sans perturbation de l'appareil.

L'exploitant doit également s'engager pendant toute la durée d'utilisation de l'appareil à s'assurer de la concordance des mesures de sécurité du travail nécessaires avec l'état actuel des normes en vigueur et de respecter les nouvelles réglementations.

## 2.5 Conformité CE

L'appareil LEVEL SWITCH 8112 est conforme à la réglementation CE concernant les directives de compatibilité électromagnétique (89/336/CEE) et de basse tension (73/23/CEE) et satisfait à la recommandation NAMUR NE 21.

La conformité s'applique aux normes suivantes :

- CEM :
  - Emission EN 61326/A1 : 1998 (classe B)
  - Immission EN 61326 : 1997/A1 : 1998
- DBT : EN 61010-1 : 1993

## 2.6 Conformité SIL

Le LEVEL SWITCH 8112 satisfait aux exigences relatives à la sécurité fonctionnelle selon IEC 61508/IEC 61511. Vous trouverez de plus amples informations dans le Safety Manual "*LEVEL SWITCH*".

## 2.7 Consignes de sécurité pour atmosphères Ex

Respectez les consignes de sécurité spécifiques Ex pour les applications Ex. Celles-ci font partie intégrale de la notice de mise en service et sont jointes à l'appareil avec un agrément Ex à la livraison.

### 3 Description de l'appareil

#### 3.1 Présentation

Compris à la livraison

Compris à la livraison :

- Capteur de détection de niveau LEVEL SWITCH 8112
- Documentation comprenant :
  - cette notice de mise en service
  - Safety Manual "*Sécurité fonctionnelle selon IEC 61508 ou IEC 61511 (SIL)*"
  - "*Consignes de sécurité*" spécifiques Ex (pour les versions Ex)
  - le cas échéant d'autres certificats

Composants

L'appareil LEVEL SWITCH 8112 se compose des éléments suivants :

- Couvercle de boîtier
- Boîtier avec électronique
- Raccord process avec lames vibrantes

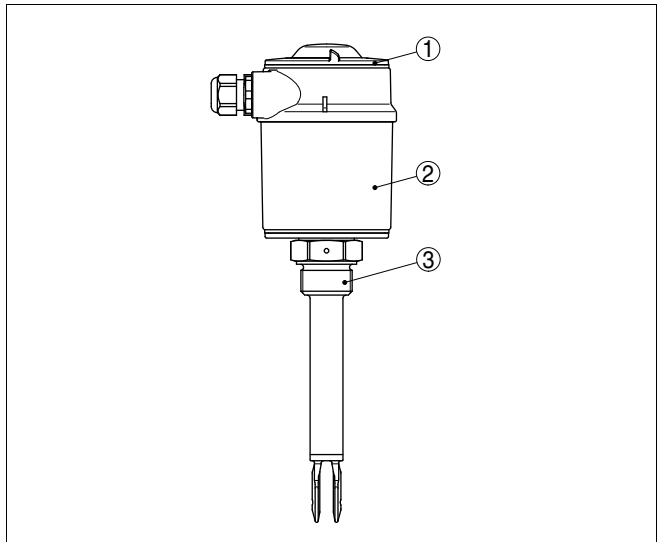


Fig. 1: LEVEL SWITCH 8112 avec boîtier en matière plastique

- 1 Couvercle de boîtier
- 2 Boîtier avec électronique
- 3 Raccord process

**Domaine d'application**

MAN 1000098257 ML Version: A Status: RL (released / freigegeben) printed: 19.08.2008

**3.2 Procédé de fonctionnement**

Le LEVEL SWITCH 8112 est un détecteur de niveau à lames vibrantes destiné à la détection de niveau.

Il est conçu pour les applications industrielles dans tous les secteurs de la technique des procédés et peut être utilisé dans les liquides.

Des applications classiques sont la protection antidébordement et contre la marche à vide. Les petites lames vibrantes permettent une application dans les réservoirs et cuves de tout type. Grâce à son système de mesure simple et robuste, le LEVEL SWITCH 8112 peut être utilisé quasi indépendamment des propriétés physiques et chimiques du liquide à mesurer.

Il fonctionne également dans des conditions de mesure difficiles telles que turbulences, bulles d'air, formation de mousse, colmatages, fortes vibrations environnantes ou variations de produits.

**Autosurveillance**

Le préamplificateur de l'appareil LEVEL SWITCH 8112 contrôle de façon continue par le biais de son exploitation de fréquence les critères suivants :

- une corrosion importante ou une détérioration des lames vibrantes
- un arrêt de vibration
- une rupture de ligne aux éléments piézo

Si le détecteur reconnaît une panne de fonctionnement ou dans le cas d'une panne de tension d'alimentation, l'électronique passe à un état de commutation défini, c'est à dire que le relais est désexcité (sécurité positive).

**Principe de fonctionnement**

Les lames vibrantes sont excitées par des éléments piézo-électriques et oscillent sur leur fréquence de résonance mécanique de 1200 Hz. Ces éléments piézo ont une fixation mécanique, c'est pourquoi ils résistent aux chocs de température. Le recouvrement des lames par le produit entraîne une variation de fréquence. Celle-ci est détectée par l'étage électronique intégré puis convertie en un ordre de commutation.

**Alimentation**

Le détecteur LEVEL SWITCH 8112 est un appareil compact, c'est à dire qu'il peut fonctionner sans exploitation externe. L'électronique intégrée exploite le signal niveau et délivre un

## Emballage

## Température de stockage et de transport

signal de commutation qui vous permet d'enclencher directement un appareil asservi en aval (p.ex. un dispositif avertisseur sonore ou lumineux, un API, une pompe etc.).

Les indications concernant l'alimentation vous seront précisées au chapitre "*Caractéristiques techniques*" en "*Annexe*" de cette notice.

### 3.3 Réglage et configuration

Vous pouvez contrôler l'état de commutation du détecteur LEVEL SWITCH 8112 le boîtier étant fermé (témoin de contrôle). En réglage de base, vous pouvez détecter des produits dont la densité est  $>0,7 \text{ g/cm}^3$  ( $0.025 \text{ lbs/in}^3$ ). Vous pouvez adapter l'appareil si votre produit a une densité plus basse.

Vous trouverez sur le préamplificateur les éléments de réglage et d'affichage suivants :

- Témoin de contrôle pour affichage de l'état de commutation (vert/rouge)
- Commutateur DIL pour le réglage de la sensibilité
- Inverseur du mode de fonctionnement pour sélectionner le comportement de commutation (A/B)

### 3.4 Stockage et transport

Durant le transport jusqu'à son lieu d'application, votre appareil a été protégé par un emballage résistant aux contraintes de transport usuelles. La résistance de cet emballage a fait l'objet d'un test selon DIN EN 24180.

Pour les appareils standards, cet emballage est en carton non polluant et recyclable. L'élément de mesure est en plus protégé par un capot en ABS. Pour les versions spéciales, on utilise en plus de la mousse ou des feuilles de polyéthylène. Faites en sorte que cet emballage soit recyclé par une entreprise spécialisée de récupération et de recyclage.

- Température de transport et de stockage voir "*Annexe - Caractéristiques techniques - Conditions ambiantes*"
- Humidité relative de l'air 20 ... 85 %

## 4 Montage

### 4.1 Remarques générales

De façon générale, vous pouvez installer le détecteur LEVEL SWITCH 81 12 dans n'importe quelle position. Il faut seulement veiller à ce que les lames vibrantes soient à la hauteur du point de commutation désiré.

Les lames vibrantes possèdent des repères (encoches) sur le côté servant à marquer le point de commutation en montage vertical. Le point de commutation se rapporte à l'eau avec un commutateur de densité réglé sur  $\geq 0,7 \text{ g/cm}^3$  ( $0.025 \text{ lbs/in}^3$ ). Veillez au montage du détecteur LEVEL SWITCH 81 12 à ce que ce repère se trouve bien au niveau du point de commutation désiré. Tenez compte que le point de commutation de l'appareil se décalera si la densité du produit est différente de celle de l'eau - eau  $1 \text{ g/cm}^3$  ( $0.036 \text{ lbs/in}^3$ ). Pour les produits  $< 0,7 \text{ g/cm}^3$  ( $0.025 \text{ lbs/in}^3$ ) et  $> 0,5 \text{ g/cm}^3$  ( $0.018 \text{ lbs/in}^3$ ), réglez le commutateur de densité sur  $\geq 0,5 \text{ g/cm}^3$ .

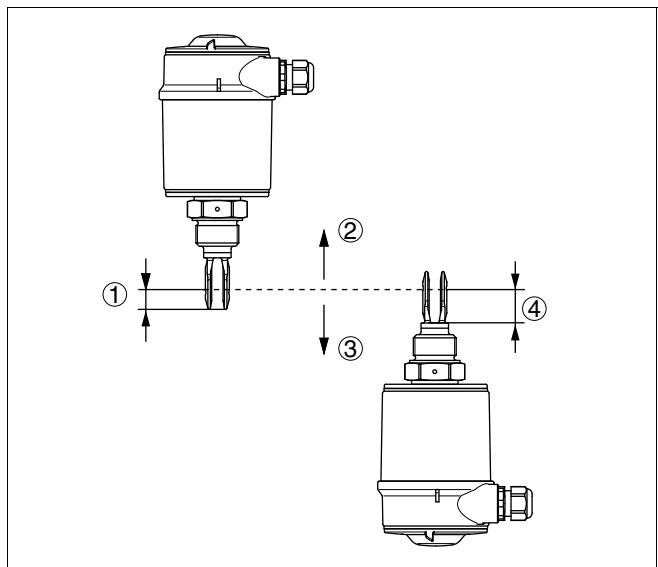


Fig. 2: Montage vertical

- 1 Point de commutation env. 13 mm (0.51 in)
- 2 Point de commutation avec plus faible densité
- 3 Point de commutation avec plus haute densité
- 4 Point de commutation env. 27 mm (1.06 in)

Point de commutation

MAN 1000098257 ML Version: A Status: RL (released / freigegeben) printed: 09.08.2008

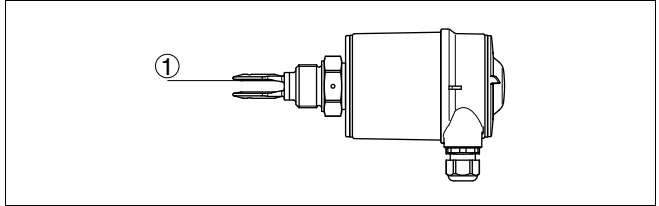


Fig. 3: Montage horizontal  
1 Point de commutation

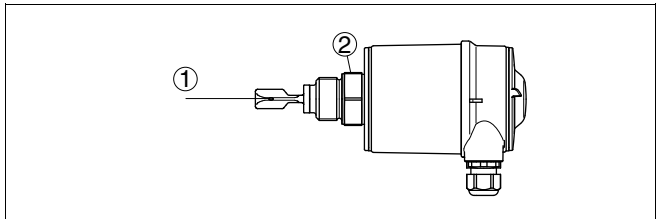


Fig. 4: Montage horizontal (position de montage recommandée, en particulier pour les produits colmatants)  
1 Point de commutation  
2 Repère pour version filetée en haut - pour les versions à bride, il est orienté vers les perçages de la bride

Avec les versions à bride, les lames sont orientées vers les perçages de la bride de la façon suivante.

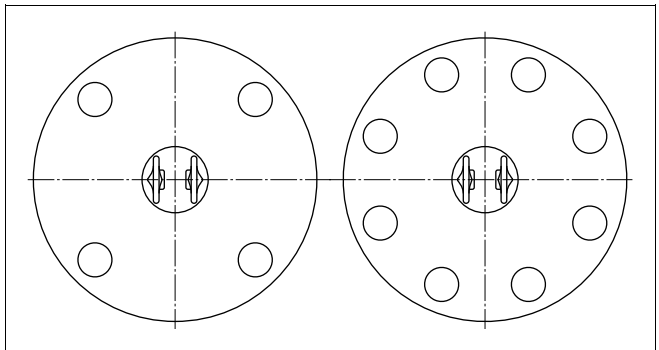


Fig. 5: Position des lames avec versions à bride

## Humidité

Utilisez les câbles recommandés (voir au chapitre "Raccordement à l'alimentation") et serrez bien le presse-étoupe.

Vous protégerez votre LEVEL SWITCH 8112 contre l'infiltration d'humidité en conduisant le câble de raccordement devant le presse-étoupe vers le bas. Cela concerne en particulier les

MAN 100009257 ML Version: A Status: RL (released / freigegeben) printed: 19.08.2008

**Transport**

**Pression/sous vide**

**Manipulation**

montages à l'extérieur ou dans des lieux où il faut s'attendre à de l'humidité (due par exemple à des processus de nettoyage) ou encore dans des cuves réfrigérées ou chauffées.

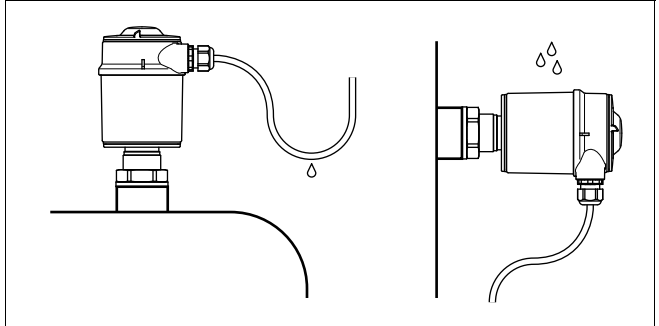


Fig. 6: Mesures prises contre l'infiltration d'humidité

Ne tenez pas le détecteur LEVEL SWITCH 8112 par les lames vibrantes. En particulier pour les versions à bride ou à tube, vous pourriez endommager les lames par le poids de l'appareil. Transportez les appareils plaqués avec grande précaution et évitez tout contact avec les lames.

La protection de l'élément vibrant n'est à enlever que juste avant le montage.

En présence d'une surpression ou d'une dépression dans le réservoir, il faut étancher le raccord process. Assurez-vous avant d'utiliser l'appareil que le matériau du joint soit résistant au produit mesuré et aux températures régnant dans la cuve.

Reportez-vous pour la pression tolérée au chapitre des "Caractéristiques techniques" en "Annexe" ou aux indications sur la plaque signalétique de l'appareil.

Le détecteur vibrant est un appareil de mesure et doit donc être manipulé en conséquence. Une flexion de l'élément vibrant entraîne la destruction de l'appareil.



**Attention !**

Le boîtier ne doit pas être utilisé pour visser l'appareil ! Si vous serrez l'appareil par le boîtier, vous risquez de détruire la mécanique de rotation du boîtier.

Utilisez les six pans au dessus du filetage pour visser l'appareil.

## Raccord à souder

MAN 1000098257 ML Version: A Status: RL (released / freigegeben) printed: 19.08.2008

### 4.2 Instructions de montage

Le détecteur LEVEL SWITCH 8112 possède un filet initial défini. Cela signifie qu'après avoir vissé un LEVEL SWITCH 8112, ses lames se retrouvent toujours dans la même position. Pour cela, il est nécessaire d'enlever le joint se trouvant sur le filetage du LEVEL SWITCH 8112. Ce joint n'est pas nécessaire si vous utilisez le raccord à souder avec joint torique placé à l'avant.

Nous attirons votre attention sur le fait que le raccord à souder n'est pas adapté aux appareils plaqués.

Vissez le détecteur LEVEL SWITCH 8112 dans le raccord à souder jusqu'en butée. Vous pouvez déjà fixer la position ultérieure avant la soudure. Marquez la position adéquate du raccord à souder. Avant la soudure, dévissez le détecteur LEVEL SWITCH 8112 et enlevez l'anneau de caoutchouc du raccord. Le raccord à souder est marqué par une encoche. Soudez le raccord avec le repère en haut ou dans le cas d'un montage sur tuyauterie dans le sens d'écoulement.

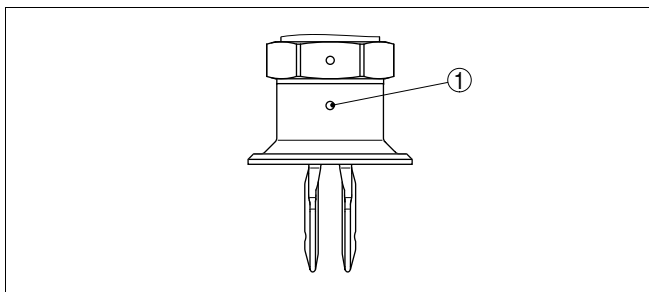


Fig. 7: Marquage sur le raccord à souder  
1 Marquage

### Produits colmatants

Dans le cas d'un montage horizontal sur des produits colmatants et visqueux, les lames doivent être positionnées l'une à côté de l'autre et non l'une au dessus de l'autre pour minimiser les dépôts de produit sur les lames. La version à raccord fileté dispose d'un marquage sur le six pans vous permettant de contrôler la position des lames au montage. Lorsque le six pans a atteint le joint plat, vous pouvez encore continuer de tourner le raccord fileté d'un demi-tour environ, ce qui est suffisant pour atteindre la position de montage recommandée.

Pour les versions à bride, les lames vibrantes sont orientées en fonction des perçages de la bride.

**Flot de produit**

En présence de produits colmatants et visqueux, les lames vibrantes doivent faire saillie dans la cuve pour éviter des dépôts sur les lames. En montage horizontal, évitez donc d'utiliser des rehausses pour brides et raccords à visser.

Si vous installez l'appareil LEVEL SWITCH 8112 dans le flot de remplissage, cela peut entraîner des enclenchements intempestifs. Pour l'éviter, nous vous recommandons d'installer l'appareil LEVEL SWITCH 8112 à un endroit de la cuve où il ne sera pas perturbé par des influences négatives telles que flots de remplissage ou agitateurs.

Ceci est valable en particulier pour les détecteurs avec un long tube prolongateur.

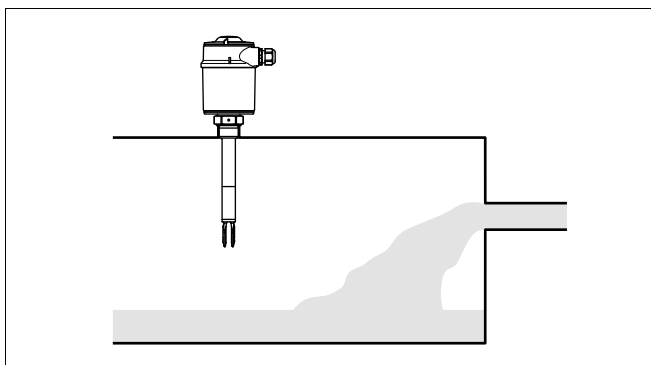


Fig. 8: Flot de produit

**Écoulements**

Pour que les lames vibrantes du LEVEL SWITCH 8112 offrent le moins de résistance possible en présence de surfaces agitées, la surface des lames doit être parallèle au sens d'écoulement du produit.

**Agitateurs**

Les agitateurs ou vibrations provenant de l'installation sont de nature à soumettre le détecteur à des forces latérales importantes. Choisissez donc un LEVEL SWITCH 8112 avec un tube prolongateur pas trop long ou vérifiez plutôt s'il vous est possible d'opter pour un détecteur pouvant être installé latéralement en position horizontale.

Des vibrations et secousses importantes dans la cuve dues par exemple à des agitateurs ou encore de fortes turbulences peuvent conduire à des vibrations de résonance sur le tube prolongateur du détecteur LEVEL SWITCH 8112. Ce qui augmente l'usure du matériau au niveau du cordon de soudure

du haut. Si un grand tube est nécessaire, fixez le tube prolongateur juste au dessus des lames vibrantes par un ancrage ou support adéquat.



Ces mesures préventives sont valables en particulier pour les applications en zone à atmosphère explosible de la catégorie 1G ou selon WHG. Veillez toutefois à ce que le tube ne soit en aucun cas soumis à une courbure ou à un cintrage par le support ou la fixation installée.

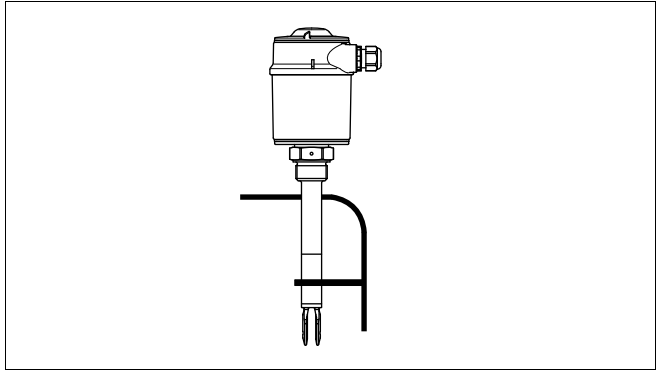


Fig. 9: Fixation latérale du tube du détecteur LEVEL SWITCH 8112

Traitez les appareils revêtus d'émail avec une précaution particulière et évitez les coups ou chocs durs. Retirez le LEVEL SWITCH 8112 de son emballage que juste avant le montage. Introduisez le LEVEL SWITCH 8112 avec précaution dans le piquage de la cuve et évitez tout contact avec les bords vifs de la cuve.

Emballage

MAN 100009857 ML Version: A Status: RL (released / freigegeben) printed: 19.08.2008

## 5 Raccordement à la tension d'alimentation

### 5.1 Préparation du raccordement

**Respecter les consignes de sécurité**

**Respecter les consignes de sécurité pour les applications Ex**



**Sélection de la tension d'alimentation.**

**Sélection du câble de raccordement**

**Sélection du câble de raccordement pour applications Ex**



Respectez toujours les consignes de sécurité suivantes :

- Raccordez l'appareil uniquement hors tension

En atmosphères explosibles, il faudra respecter les réglementations respectives et les certificats de conformité et d'homologation des capteurs et appareils d'alimentation.

Raccordez la tension d'alimentation suivant les schémas suivants. Le préamplificateur SWE60R est en classe de protection 1. Afin de respecter cette classe de protection, il est absolument nécessaire de raccorder la borne de terre interne à la terre. Respectez pour cela les réglementations d'installation générales en vigueur. Reliez toujours le détecteur LEVEL SWITCH 8112 à la terre de la cuve (liaison équipotentielle) ou pour les cuves en plastique au potentiel du sol le plus proche. Utilisez pour cela la borne de terre entre les presse-étoupe sur le côté du boîtier de l'appareil. Cette liaison sert à une décharge électrostatique. Pour les applications Ex, il faut respecter les règles d'installation concernant les atmosphères explosibles.

Les indications concernant l'alimentation vous seront précisées au chapitre "*Caractéristiques techniques*" en "*Annexe*" de cette notice.

Le branchement du LEVEL SWITCH 8112 se fera par un câble usuel de section circulaire. Un diamètre extérieur du câble compris entre 5 et 9 mm (0.2 ... 0.35 in) garantit l'étanchéité du presse-étoupe.

Si vous utilisez du câble de section ou de diamètre différent, changez de joint ou utilisez un presse-étoupe approprié.

Utilisez pour le détecteur LEVEL SWITCH 8112 uniquement des presse-étoupe agréés pour atmosphère explosible.

Respectez les règlements d'installation concernant les applications Ex.

MAN 1000098257 ML Version: A Status: RL (released / freigegeben) d: 19.08.2008

## 5.2 Etapes de raccordement



Pour les appareils Ex, vous n'êtes autorisé à ouvrir le couvercle du boîtier qu'en absence complète d'atmosphère explosive.

Procédez comme suit :

- 1 Dévissez le couvercle du boîtier.
- 2 Desserrez l'écrou flottant du presse-étoupe.
- 3 Enlevez la gaine du câble sur 10 cm (4 in) env. et dénudez l'extrémité des conducteurs sur 1 cm (0.4 in) env.
- 4 Introduisez le câble dans le capteur en le passant par le presse-étoupe.
- 5 Ouvrez les bornes de raccordement à l'aide d'un tournevis.
- 6 Insérez les fins de conducteurs dans les bornes ouvertes selon le schéma de raccordement
- 7 Serrez bien les bornes de raccordement à l'aide d'un tournevis.
- 8 Vérifiez la bonne fixation des fins de conducteurs dans les bornes en tirant légèrement dessus
- 9 Serrez bien l'écrou flottant du presse-étoupe. L'anneau d'étanchéité doit entourer complètement le câble
- 10 Revissez le couvercle du boîtier.

Vous avez maintenant terminé le raccordement électrique.

### 5.3 Schéma de raccordement du boîtier à chambre unique

Compartiment électronique et de raccordement

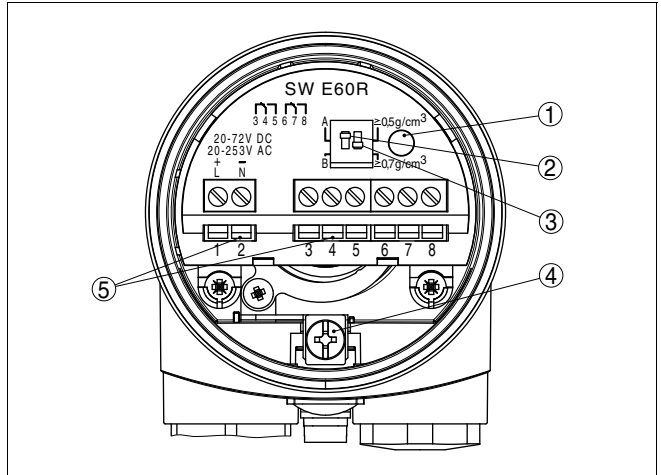


Fig. 10: Compartiment électronique et de raccordement du boîtier à chambre unique

- 1 Témoin de contrôle
- 2 Commutateur DIL pour inversion du mode de fonctionnement
- 3 Commutateur DIL pour l'adaptation du point de commutation
- 4 Borne de terre
- 5 Bornes de raccordement

Schéma de raccordement

Nous recommandons de raccorder le détecteur LEVEL SWITCH 8112 de telle façon que le circuit de commutation soit ouvert en cas de signalisation de seuil atteint, de rupture de ligne ou de panne (sécurité positive).

Les relais sont toujours représentés à l'état de repos.

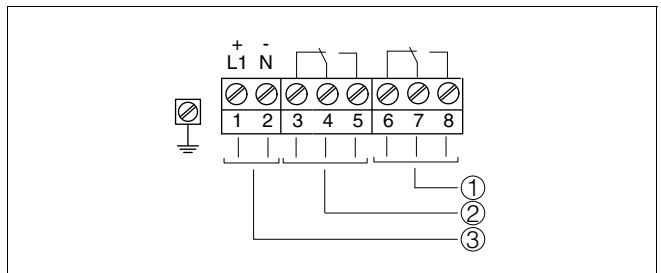


Fig. 11: Schéma de raccordement du boîtier à chambre unique

- 1 Sortie relais
- 2 Sortie relais
- 3 Alimentation de tension

MAN 100008257 ML Version: A Status: RL (released | freigegeben) printed: 10.06.2008

## 6 Mise en service

### 6.1 Généralités

Les chiffres entre parenthèses se rapportent aux figures suivantes.

Vous pouvez contrôler l'état de commutation de l'électronique, le couvercle du boîtier étant fermé (témoin de contrôle). En réglage de base, vous pouvez détecter des produits dont la densité est  $>0,7 \text{ g/cm}^3$  ( $0.025 \text{ lbs/in}^3$ ). En présence de produits dont la densité est plus basse, vous devez mettre le commutateur sur  $>0,5 \text{ g/cm}^3$  ( $0.018 \text{ lbs/in}^3$ ).

Vous trouverez sur le préamplificateur les éléments de réglage et d'affichage suivants :

- Témoin de contrôle (1)
- Commutateur DIL pour inversion du mode de fonctionnement - A/B (2)
- Commutateur DIL pour le réglage de la sensibilité (3)



#### Remarque:

Si vous voulez tester l'appareil, plongez les lames vibrantes du détecteur LEVEL SWITCH 8112 uniquement dans un liquide. Ne testez pas le fonctionnement du détecteur LEVEL SWITCH 8112 avec la main. Cela pourrait endommager l'appareil.

## 6.2 Eléments de réglage

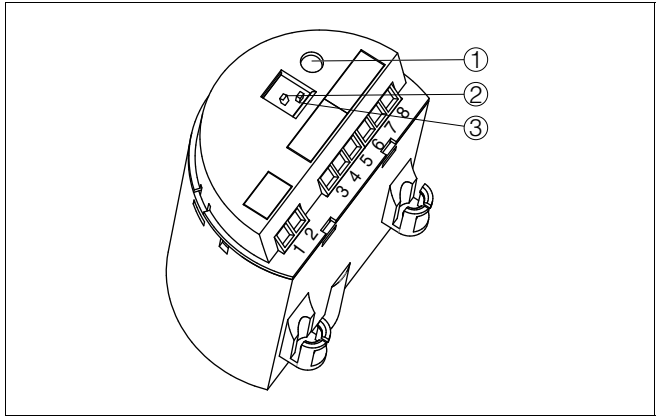


Fig. 12: Préamplificateur SWE60R - sortie relais

- 1 Témoin de contrôle (LED)
- 2 Commutateur DIL pour inversion du mode de fonctionnement
- 3 Commutateur DIL pour le réglage de la sensibilité

### Témoin de contrôle (1)

Témoin de contrôle (LED) pour l'affichage de l'état de commutation.

- vert = relais excité
- rouge = relais désexcité
- rouge (clignote) = panne

### Inversion du mode de fonctionnement (2)

L'inverseur (A/B) vous permet de modifier l'état de commutation du relais. Vous pouvez ainsi régler le mode de fonctionnement désiré suivant le "*Tableau de fonctionnement*" (A - détection du niveau maximum ou protection antidébordement, B - détection du niveau minimum ou protection contre la marche à vide).

### Réglage de la sensibilité (3)

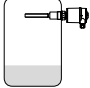
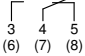

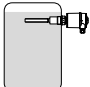
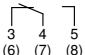

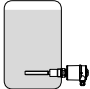
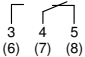

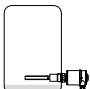
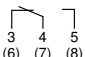

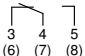

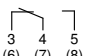

Ce commutateur DIL (3) vous permet de régler le point de commutation pour les liquides dont la densité est comprise entre 0,5 et 0,7 g/cm<sup>3</sup> (0.018 et 0.025 lbs/in<sup>3</sup>). Au réglage de base, vous pouvez détecter des liquides dont la densité est >0,7 g/cm<sup>3</sup> (0.025 lbs/in<sup>3</sup>). Pour les produits de plus basse densité, réglez le commutateur sur >0,5 g/cm<sup>3</sup> (0.018 lbs/in<sup>3</sup>). Les valeurs indiquées pour la position du point de commutation se rapportent à l'eau - densité 1 g/cm<sup>3</sup> (0.036 lbs/in<sup>3</sup>). Pour les produits ayant une densité différente de celle de l'eau, ce point de commutation se décalera vers le boîtier ou vers l'extrémité des lames en fonction de la densité et du type de montage.

Version: A Status: RL (released | freigegeben) printed: 19.08.2008  
ML 098257  
MAN

Tenez compte que la mousse dont la densité est  $>0,45 \text{ g/cm}^3$  ( $0.016 \text{ lbs/in}^3$ ) sera détectée par l'appareil. Cela peut conduire à de fausses commutations en particulier si l'appareil est utilisé comme protection contre la marche à vide.

### 6.3 Tableau de fonctionnement

Le tableau ci-dessous vous donne un aperçu des états de commutation en fonction du mode de fonctionnement réglé et du niveau.

	Niveau	Etat de commutation	Témoin de contrôle
Mode de fonctionnement A Protection antidé-bordement		 relais excité	 Vert
Mode de fonctionnement A Protection antidé-bordement		 Relais désexcité	 Rouge
Mode de fonctionnement B Protection contre la marche à vide		 relais excité	 Vert
Mode de fonctionnement B Protection contre la marche à vide		 Relais désexcité	 Rouge
Panne de tension d'alimentation (mode de fonctionnement A/B)	Quelconque	 Relais désexcité	
Panne	Quelconque	 Relais désexcité	 Clignote rouge

## 7 Entretien de l'appareil et élimination des défauts

### 7.1 Maintenance

A condition d'un maniement approprié, l'appareil LEVEL SWITCH 8112 ne nécessite en fonctionnement normal aucun entretien particulier.

### 7.2 Eliminer les défauts

L'appareil LEVEL SWITCH 8112 vous offre une très haute sécurité de fonctionnement. Toutefois, des défauts peuvent apparaître pendant le fonctionnement de l'appareil. Ces défauts peuvent par exemple avoir les causes suivantes :

- Capteur
- Process
- Alimentation
- Exploitation des signaux

Vérifiez en premier le signal de sortie. Dans de nombreux cas, vous pourrez ainsi constater les causes de ces défauts et y remédier.

- ? Le LEVEL SWITCH 8112 signale "immergé" sans qu'il soit recouvert par le produit (sécurité antidébordement)
- ? Le LEVEL SWITCH 8112 signale "émergé" bien qu'il soit recouvert par le produit (protection contre la marche à vide).
  - Tension d'alimentation trop faible
    - Vérifiez la tension d'alimentation
  - Electronique défectueuse
    - Actionnez l'inverseur du mode de fonctionnement (mini.-maxi.). Si à la suite l'appareil commute, il peut avoir une détérioration mécanique. Si la fonction de commutation est à nouveau défectueuse sur le mode correct, retournez l'appareil au service réparation.
    - Actionnez l'inverseur du mode de fonctionnement. Si après cela l'appareil ne commute pas, le préampli est défectueux. Remplacez le préamplificateur.
    - Vérifiez si l'élément vibrant présente des colmatages, si oui enlevez-les.

**Causes des défauts**

**Elimination des défauts**

**Vérifier le signal de commutation**

MAN 1000098855 ML Version: A Status: RL (released) (releigegeben) printed: 19.08.2008

- Lieu de montage défavorable.
  - Evitez d'installer l'appareil dans une zone morte du silo où le produit risque de stagner (silo vide), et de même évitez les zones dans lesquelles peuvent se former des poches d'air silo plein (effet de voûte).
- Sélection du mauvais mode de fonctionnement
  - Réglez le mode de fonctionnement correct à l'inverseur (maxi. : protection antidébordement ; mini. : protection contre la marche à vide). Le câblage doit être réalisé suivant le principe du courant repos.
- ? Témoin de contrôle clignote rouge
  - L'électronique a reconnu un défaut.
    - Remplacez l'appareil ou retournez-le au service réparation
- ? Le témoin de contrôle clignote alternativement rouge et vert.
  - Appareil défectueux.
    - Remplacez l'appareil ou retournez-le au service réparation

## 8 Démontage

### 8.1 Etapes de démontage



#### Attention !

Avant de démonter l'appareil, faites attention aux conditions de process dangereuses comme p.ex. pression dans la cuve, hautes températures, produits agressifs ou toxiques etc.

Suivez les indications des chapitres "*Montage*" et "*Raccordement à l'alimentation*" et procédez de la même manière mais en sens inverse.



Pour les appareils Ex, vous n'êtes autorisé à ouvrir le couvercle du boîtier qu'en absence complète d'atmosphère explosive.

### 8.2 Recyclage

L'appareil se compose de matériaux recyclables par des entreprises spécialisées. A cet effet, l'électronique a été conçue facilement détachable et les matériaux utilisés sont recyclables.

#### Directive WEEE 2002/96/CE

Le présent appareil n'est pas soumis à la directive WEEE 2002/96/CE et aux lois nationales respectives (en Allemagne p.ex. ElektroG). Amenez l'appareil directement à une entreprise de recyclage spécialisée et n'utilisez pas les points de récupération communaux. Ceux-ci sont destinés uniquement à des produits à usage privé conformément à la réglementation WEEE.

Une récupération professionnelle évite les effets négatifs pouvant agir sur l'homme et son environnement tout en préservant la valeur des matières premières par un recyclage adéquat.

Matériaux : voir au chapitre "*Caractéristiques techniques*"

Au cas où vous n'auriez pas la possibilité de faire recycler l'ancien appareil par une entreprise spécialisée, contactez-nous, nous vous conseillerons sur les possibilités de reprise et de recyclage.

## 9 Annexe

### 9.1 Caractéristiques techniques

#### Caractéristiques générales

Matériau 316L correspond à 1.4404 ou à 1.4435

Matériaux, en contact avec le produit

- raccord process - filetage 316L, Hastelloy C4 (2.4602)
- raccord process - bride 316L, 316L plaqué Hastelloy C4, acier émaillé, 316L revêtu ECTFE, 316L revêtu PFA
- joint d'étanchéité au process Klingsil C-4400
- lames vibrantes 316L, Hastelloy C4 (2.4610)
- tube prolongateur ø 21,3 mm (0.84 in) 316L, Hastelloy C4 (2.4610), Hastelloy C4 (2.4610) émaillé, 316L revêtu ECTFE, 316L revêtu PFA

Matériaux, pas en contact avec le produit

- Boîtier plastique PBT (polyester)
- joint entre boîtier et couvercle du boîtier EPDM
- borne de terre 316L
- extension haute température (en option) 316L
- passage étanche au gaz (en option) 316L/verre

Longueurs

- 316L, Hastelloy C4 (2.4610) 80 ... 6000 mm (3.15 ... 236.22 in)
- Hastelloy C4 (2.4610) émaillé 80 ... 1500 mm (3.15 ... 59.055 in)
- 316L, revêtu ECTFE 80 ... 3000 mm (3.15 ... 118.11 in)
- 316L revêtu PFA 80 ... 3000 mm

Poids

- Boîtier en plastique env. 850 g (30 oz)
- Prolongement du tube env. 920 g/m (10 oz/ft)

Épaisseur du revêtement

- Email env. 0,8 mm (0.03 in)
- ECTFE env. 0,5 mm (0.02 in)
- PFA env. 0,5 mm (0.02 in)

Index de rugosité de surface

- Standard  $R_a \text{ env. } 3 \mu\text{m} (1.18^{-4} \text{ in})$
- Version alimentaire (3A)  $R_a < 0,8 \mu\text{m} (3.15^{-5} \text{ in})$
- Version alimentaire (3A)  $R_a < 0,3 \mu\text{m}$

Raccords process

- Frittage  $G\frac{3}{4} \text{ A}, \frac{3}{4} \text{ NPT}, G1 \text{ A}, 1 \text{ NPT}$
- Brides  $\text{DIN à partir de DN } 25, \text{ ANSI à partir de } 1''$
- Raccords alimentaires  $\text{raccord union DN } 40 \text{ PN } 40, \text{ Tri-Clamp } 1'', \text{ Tri-Clamp } 1\frac{1}{2}'' \text{ PN } 10, \text{ cône DN } 25 \text{ PN } 40, \text{ Tuchenhausen Varivent DN } 50 \text{ PN } 10$

Test haute tension (émail)

max. 5 KV

Passage étanche au gaz (en option)

- Taux de fuite  $< 10^{-6} \text{ mbar l/s}$
- Tenue à la pression  $\text{PN } 64$
- Raccords alimentaires  $\text{raccord union DN } 40 \text{ PN } 40, \text{ Tri-Clamp } 1'', \text{ Tri-Clamp } 1\frac{1}{2}'' \text{ PN } 10, \text{ cône DN } 25 \text{ PN } 40, \text{ Tuchenhausen Varivent DN } 50 \text{ PN } 10$

---

**Grandeur de sortie**

Sortie  $\text{sortie relais (DPDT), 2 contacts inverseurs libres de potentiel}$

Tension de commutation

- Mini.  $10 \text{ mV}$
- Maxi.  $253 \text{ V AC}, 253 \text{ V DC}$

Courant de commutation

- Mini.  $10 \mu\text{A}$
- Maxi.  $3 \text{ A AC}, 1 \text{ A DC}$

Puissance de commutation

- Mini.  $50 \text{ mW}$
- Maxi.  $750 \text{ VA AC}, 54 \text{ W DC}$   
 Si des charges inductives ou de forts courants sont commutés, le placage or des contacts relais sera irrémédiablement détérioré. Après quoi le contact ne sera plus approprié à la commutation de petits signaux courant.

Matériau des contacts (contacts relais)

AgNi ou AgSnO et plaqué Au

## Modes de fonctionnement (commutables)

- Détection du maximum et/ou protection/sécurité antidébordement
- Détection du niveau minimum et/ou protection contre la marche à vide

## Précision de mesure

Ecart de mesure  $\pm 1 \text{ mm } (\pm 0.04 \text{ in})$

## Influence de la température process sur le point de commutation

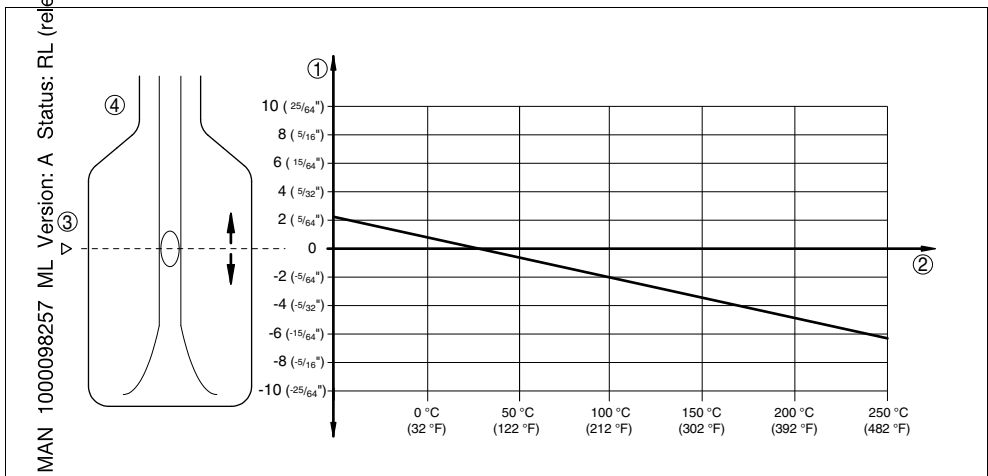


Fig. 29: Influence de la température process sur le point de commutation

- 1 Décalage du point de commutation en mm (in)
- 2 Température process en °C (°F)
- 3 Point de commutation avec conditions de référence (rainure)
- 4 Lames vibrantes

## Influence de la densité du produit sur le point de commutation

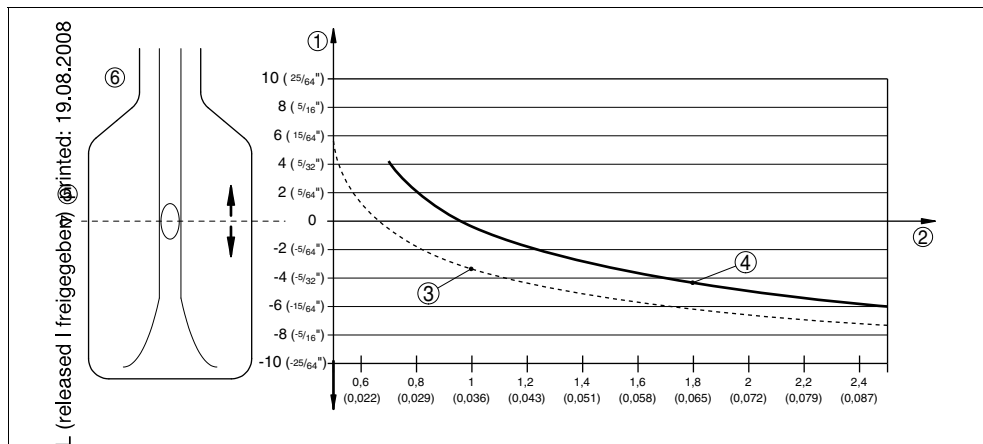


Fig. 30 Influence de la densité du produit sur le point de commutation

- 1 Décalage du point de commutation en mm (in)
- 2 Densité du produit en g/cm<sup>3</sup> (lb/in<sup>3</sup>)
- 3 Position du commutateur 0,5 g/cm<sup>3</sup> (correspond à 0.018 lb/in<sup>3</sup>)
- 4 Position du commutateur 0,7 g/cm<sup>3</sup> (correspond à 0.025 lb/in<sup>3</sup>)
- 5 Point de commutation avec conditions de référence (rainure)
- 6 Lignes vibrantes

### Influence de la pression process sur le point de commutation

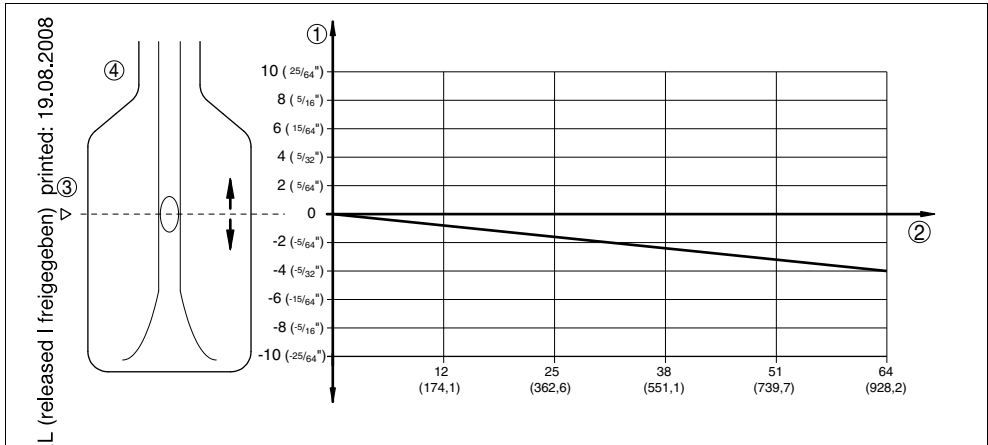


Fig. 1: Influence de la pression process sur le point de commutation

- 1 Décalage du point de commutation en mm (in)
- 2 Pression process en bar (psi)
- 3 Point de commutation avec conditions de référence (rainure)
- 4 Lames vibrantes

Reproductibilité	0,1 mm (0.004 in)
Hystérésis	env. 2 mm (0.08 in) en montage vertical
Temporisation à la commutation	env. 500 ms (ON/OFF)
Fréquence de mesure	env. 1200 Hz

### Conditions ambiantes

Température ambiante au boîtier	-40 ... +70 °C (-40 ... +158 °F)
Température de stockage et de transport	-40 ... +80 °C (-40 ... +176 °F)

### Conditions de process

Grandeur de mesure	détection de niveau de liquides
Pression process	-1 ... 64 bar (-14.5 ... 938 psi) dépend du raccord process, p.ex. de la bride (voir diagrammes suivants)

LEVEL SWITCH 8112 en 316L/Hastelloy C4 (2.4610) -50 ... +150 °C (-58 ... +302 °F)

Température process (température au filetage ou à la bride) avec extension hautes températures (en option)

- LEVEL SWITCH 8112 en 316L/ Hastelloy C4 -50 ... +250 °C (-58 ... +482 °F)
- LEVEL SWITCH 8112 émaillé -50 ... +200 °C (-58 ... +392 °F)
- LEVEL SWITCH 8112 revêtu ETFE -50 ... +150 °C (-58 ... +302 °F)
- LEVEL SWITCH 8112 revêtu PFA -50 ... +150 °C (-58 ... +302 °F)

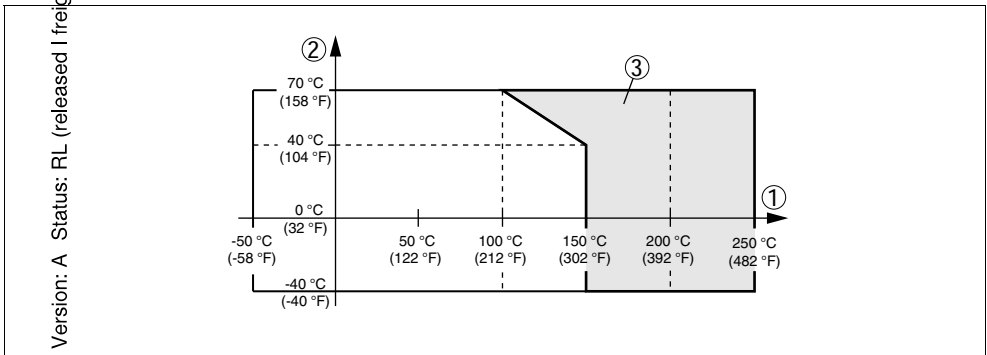


Fig. 32: Température ambiante - température du process

- 1 Température process en °C (°F)
- 2 Température ambiante en °C (°F)
- 3 Plage de température avec extension hautes températures

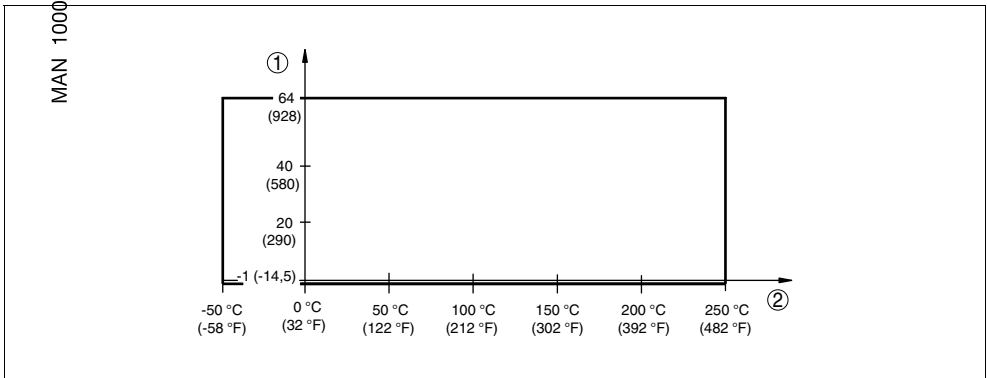


Fig. 33: Température process - pression process avec position du commutateur 0,7 g/cm<sup>3</sup> (commutateur d'inversion du mode de fonctionnement)

- 1 Pression process en bar (psi)
- 2 Température process en °C (°F)

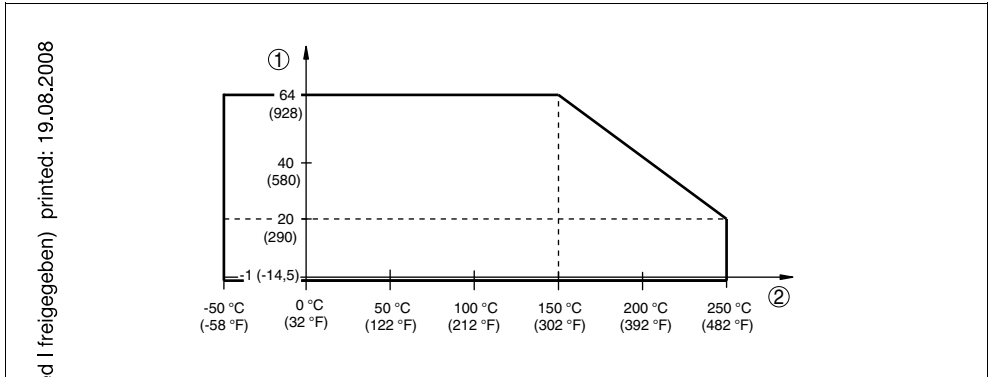


Fig. 14: Température process - pression process avec position du commutateur 0,5 g/cm<sup>3</sup> (commutateur d'inversion du mode de fonctionnement)

1 Pression process en bar (psi)

2 Température process en °C (°F)

Viscosité - dynamique

0,1 ... 10.000 mPa s (condition : avec une densité de 1)

Densité

0,7 ... 2,5 g/cm<sup>3</sup> ; 0,5 ... 2,5 g/cm<sup>3</sup> changement par commutation

## Caractéristiques électromécaniques

Entrée de câble/connecteur (suivant la version)

– Boîtier à chambre unique

- 1x presse-étoupe M20x1,5 (ø du câble 5 ... 9 mm), 1x obturateur M20x1,5 ; joint à l'appareil 1x presse-étoupe M20x1,5

ou :

- 1x presse-étoupe ½ NPT, 1x obturateur ½ NPT, 1x presse-étoupe ½ NPT

ou :

- 1x connecteur M12x1, 1x obturateur M20x1,5

Bornes à vis

section de conducteur maxi. 1,5 mm<sup>2</sup>  
(0.0023 in<sup>2</sup>)

## Éléments de réglage

Commutateur du mode de fonctionnement

– A

Détection du maximum et/ou protection/sécurité antidébordement

– B

Détection du niveau minimum et/ou protection contre la marche à vide

Inverseur de densité

- 0,5 ... 2,5 g/cm<sup>3</sup>
- 0,7 ... 2,5 g/cm<sup>3</sup> (0.025 ... 0.9 oz/in<sup>3</sup>)

**Alimentation de tension**

Tension d'alimentation 20 ... 253 V AC, 50/60 Hz, 20 ... 72 V DC (avec U >60 V DC la température ambiante maxi. ne doit pas dépasser 50 °C/122 °F)

Consommation 1 ... 8 VA (AC), env. 1,3 W (DC)

**Mesures de protection électrique**

Indice de protection IP 66/IP 67

Catégorie de surtensions III

Classe de protection I

MAN 1000098257 ML Version: A Status: Pt (9.08.2008) (reigeben) bitte

## 9.2 Encombrement

### LEVEL SWITCH 8112

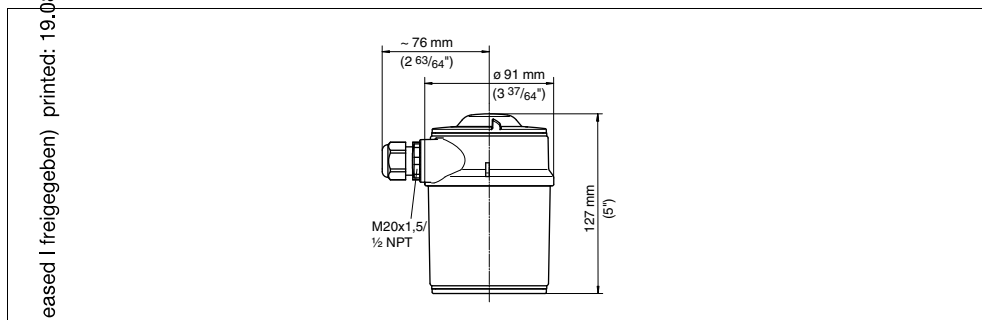


Fig. 35: Boîtier

MAN 1000098257 ML Version: A Status: P3 (released | freigegeben) printed: 19.08.2008

**LEVEL SWITCH 8112**

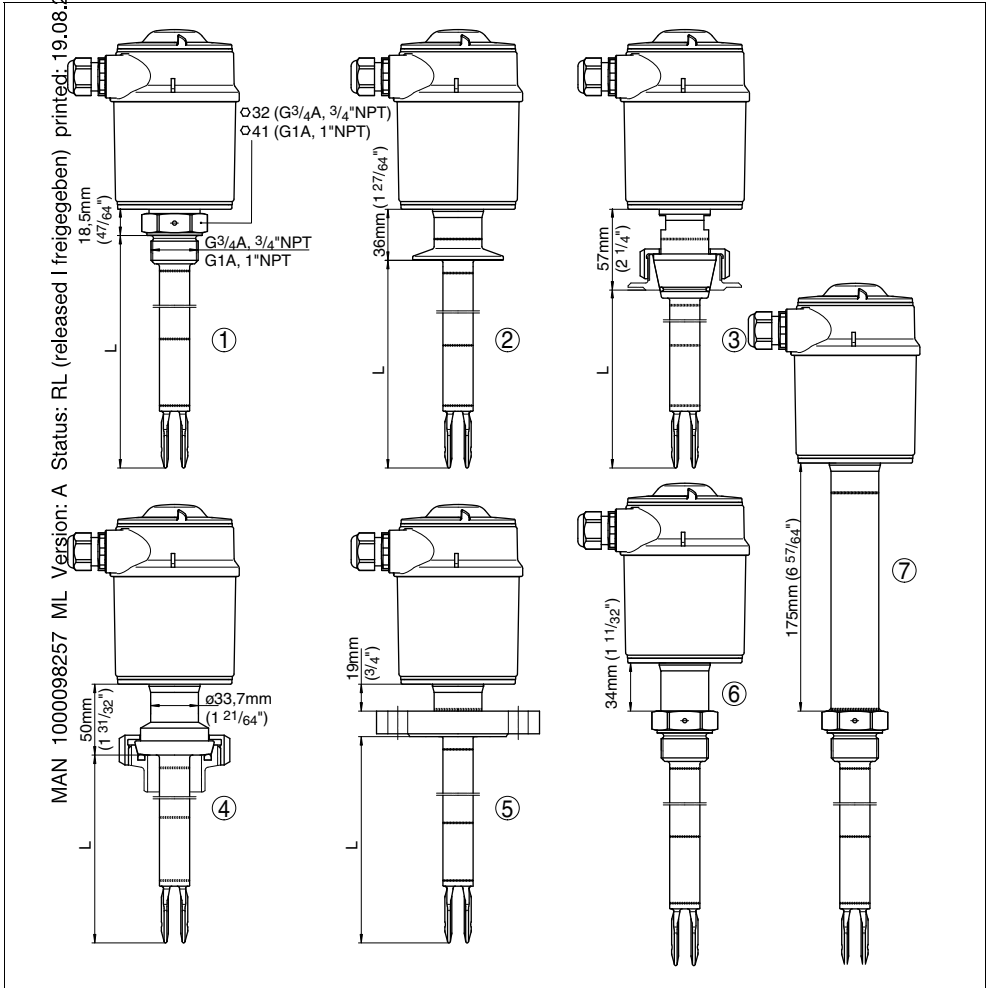


Fig. 36: LEVEL SWITCH 8112

- 1 Filetage
- 2 Tri-Clamp
- 3 Cône DN 25
- 4 Raccord union DN 40
- 5 Bride
- 6 Passage étanche au gaz
- 7 Extension haute température
- L = Longueur du capteur, voir au chapitre "Caractéristiques techniques"

MAN 1000098257 ML Version: A Status: RL (released | freigegeben) printed: 19.08.2008

MAN 1000098257 ML Version: A Status: RL (released | freigegeben) printed: 19.08.2008

MAN 1000098257 ML Version: A Status: RL (released | freigegeben) printed: 19.08.2008

MAN 1000098257 ML Version: A Status: RL (released | freigegeben) printed: 19.08.2008

MAN 1000098257 ML Version: A Status: RL (released | freigegeben) printed: 19.08.2008

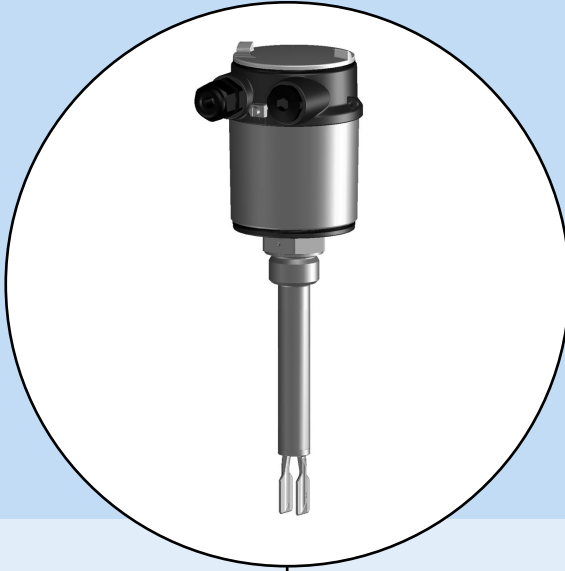
The smart choice  
of Fluid Control Systems  
[www.buerkert.com](http://www.buerkert.com)

Sous réserve de modifications  
© Bürkert-Werke GmbH & Co. KG

  
Fluid Control Systems

32050-FR-070618

# Bedienungsanleitung



**LEVEL SWITCH 8112**  
mit Relaisausgang

# Inhaltsverzeichnis

## 1 Zu diesem Dokument

1.1	Funktion . . . . .	5
1.2	Zielgruppe . . . . .	5
1.3	Verwendete Symbolik . . . . .	5

## 2 Zu Ihrer Sicherheit

2.1	Autorisiertes Personal . . . . .	6
2.2	Bestimmungsgemäße Verwendung . . . . .	6
2.3	Warnung vor Fehlgebrauch . . . . .	6
2.4	Allgemeine Sicherheitshinweise . . . . .	6
2.5	CE-Konformität . . . . .	7
2.6	SIL-Konformität . . . . .	7
2.7	Sicherheitshinweise für Ex-Bereiche . . . . .	7

## 3 Produktbeschreibung

3.1	Aufbau . . . . .	8
3.2	Arbeitsweise . . . . .	9
3.3	Bedienung . . . . .	10
3.4	Lagerung und Transport . . . . .	10

## 4 Montieren

4.1	Allgemeine Hinweise . . . . .	11
4.2	Montagehinweise . . . . .	14

## 5 An die Spannungsversorgung anschließen

5.1	Anschluss vorbereiten . . . . .	17
5.2	Anschlussschritte . . . . .	18
5.3	Anschlussplan Einkammergehäuse . . . . .	19

## 6 In Betrieb nehmen

6.1	Allgemeines . . . . .	20
6.2	Bedienelemente . . . . .	21
6.3	Funktionstabelle . . . . .	22

## 7 Instandhalten und Störungen beseitigen

7.1	Wartung . . . . .	23
7.2	Störungen beseitigen . . . . .	23

## 8 Ausbauen

8.1	AusbausCHRitte . . . . .	25
8.2	Entsorgen . . . . .	25

<b>9 Anhang</b>	
9.1 Technische Daten . . . . .	26
9.2 Maße . . . . .	34

### **Ergänzende Dokumentation**



#### **Information:**

Je nach bestellter Ausführung gehört ergänzende Dokumentation zum Lieferumfang. Diese finden Sie im Kapitel "*Produktbeschreibung*".

### **Anleitungen für Zubehör und Ersatzteile**



#### **Tip:**

Für den sicheren Einsatz und Betrieb Ihres LEVEL SWITCH 8112 bieten wir Zubehör und Ersatzteile an. Die zugehörigen Dokumentationen sind:

- Betriebsanleitung "*Elektronikeinsatz LEVEL SWITCH 8111/8112*"
- Betriebsanleitung "*Arretierverschraubung für LEVEL SWITCH 8112*"

# 1 Zu diesem Dokument

## 1.1 Funktion

Die vorliegende Betriebsanleitung liefert Ihnen die erforderlichen Informationen für Montage, Anschluss und Inbetriebnahme sowie wichtige Hinweise für Wartung und Störungsbeseitigung. Lesen Sie diese deshalb vor der Inbetriebnahme und bewahren Sie sie als Produktbestandteil in unmittelbarer Nähe des Gerätes jederzeit zugänglich auf.

## 1.2 Zielgruppe

Diese Betriebsanleitung richtet sich an ausgebildetes Fachpersonal. Der Inhalt dieser Anleitung muss dem Fachpersonal zugänglich gemacht und umgesetzt werden.

## 1.3 Verwendete Symbolik



### Information, Tipp, Hinweis

Dieses Symbol kennzeichnet hilfreiche Zusatzinformationen.



**Vorsicht:** Bei Nichtbeachten dieses Warnhinweises können Störungen oder Fehlfunktionen die Folge sein.

**Warnung:** Bei Nichtbeachten dieses Warnhinweises kann ein Personenschaden und/oder ein schwerer Geräteschaden die Folge sein.

**Gefahr:** Bei Nichtbeachten dieses Warnhinweises kann eine ernsthafte Verletzung von Personen und/oder eine Zerstörung des Gerätes die Folge sein.



### Ex-Anwendungen

Dieses Symbol kennzeichnet besondere Hinweise für Ex-Anwendungen.



### Liste

Der vorangestellte Punkt kennzeichnet eine Liste ohne zwingende Reihenfolge.



### Handlungsschritt

Dieser Pfeil kennzeichnet einen einzelnen Handlungsschritt.



### Handlungsfolge

Vorangestellte Zahlen kennzeichnen aufeinander folgende Handlungsschritte.

## 2 Zu Ihrer Sicherheit

### 2.1 Autorisiertes Personal

Sämtliche in dieser Betriebsanleitung beschriebenen Handhabungen dürfen nur durch ausgebildetes und vom Anlagenbetreiber autorisiertes Fachpersonal durchgeführt werden.

Bei Arbeiten am und mit dem Gerät ist stets die erforderliche persönliche Schutzausrüstung zu tragen.

### 2.2 Bestimmungsgemäße Verwendung

Der LEVEL SWITCH 8112 ist ein Sensor zur Grenzstanderfassung.

Detaillierte Angaben zum Einsatzbereich finden Sie im Kapitel "*Produktbeschreibung*".

### 2.3 Warnung vor Fehlgebrauch

Bei nicht sachgerechter oder nicht bestimmungsgemäßer Verwendung können von diesem Gerät anwendungsspezifische Gefahren ausgehen, so z.B. ein Überlauf des Behälters oder Schäden an Anlagenteilen durch falsche Montage oder Einstellung.

### 2.4 Allgemeine Sicherheitshinweise

Das Gerät entspricht dem Stand der Technik unter Beachtung der üblichen Vorschriften und Richtlinien. Durch den Anwender sind die Sicherheitshinweise in dieser Betriebsanleitung, die landesspezifischen Installationsstandards sowie die geltenden Sicherheitsbestimmungen und Unfallverhütungsvorschriften zu beachten.

Das Gerät darf nur in technisch einwandfreiem und betriebs-sicheren Zustand betrieben werden. Der Betreiber ist für den störungsfreien Betrieb des Gerätes verantwortlich.

Der Betreiber ist ferner verpflichtet, während der gesamten Einsatzdauer die Übereinstimmung der erforderlichen Arbeitssicherheitsmaßnahmen mit dem aktuellen Stand der jeweils geltenden Regelwerke festzustellen und neue Vorschriften zu beachten.

## 2.5 CE-Konformität

Der LEVEL SWITCH 8112 ist CE-konform zum EMVG (89/336/EWG), erfüllt die NAMUR-Empfehlung NE 21 und ist CE-konform zur NSR (73/23/EWG).

Die Konformität wurde nach folgenden Normen bewertet:

- EMVG:
  - Emission EN 61326/A1: 1998 (Klasse B)
  - Immission EN 61326: 1997/A1: 1998
- NSR: EN 61010-1: 1993

## 2.6 SIL-Konformität

Der LEVEL SWITCH 8112 erfüllt die Anforderungen an die funktionale Sicherheit nach IEC 61508/IEC 61511. Weitere Informationen finden Sie im Safety Manual "*LEVEL SWITCH*".

## 2.7 Sicherheitshinweise für Ex-Bereiche

Beachten Sie bei Ex-Anwendungen die Ex-spezifischen Sicherheitshinweise. Diese sind Bestandteil der Betriebsanleitung und liegen jedem Gerät mit Ex-Zulassung bei.

## 3 Produktbeschreibung

### 3.1 Aufbau

Der Lieferumfang besteht aus:

- Grenzstandsensord LEVEL SWITCH 8112
- Dokumentation
  - dieser Betriebsanleitung
  - Safety Manual "*Funktionale Sicherheit nach IEC 61508/ IEC 61511 (SIL)*"
  - Ex-spezifischen "*Sicherheitshinweisen*" (bei Ex-Ausführungen)
  - ggf. weiteren Bescheinigungen

Der LEVEL SWITCH 8112 besteht aus den Komponenten:

- Gehäusedeckel
- Gehäuse mit Elektronik
- Prozessanschluss mit Schwinggabel

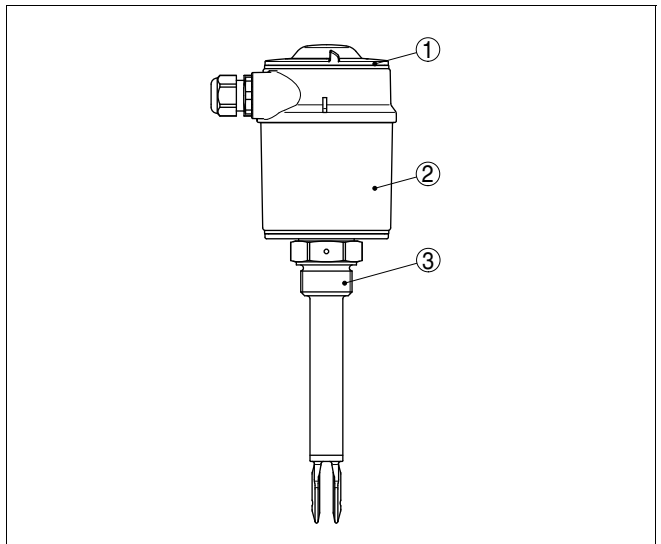


Abb. 1: LEVEL SWITCH 8112 mit Kunststoffgehäuse

- 1 Gehäusedeckel
- 2 Gehäuse mit Elektronik
- 3 Prozessanschluss

Lieferumfang

Komponenten

MAN 1000098257 ML Version: A Status: Released | freigegeben | printed: 09.08.2008

**Einsatzbereich****3.2 Arbeitsweise**

Der LEVEL SWITCH 8112 ist ein Grenzstandsensoren mit Schwinggabel zur Grenzstanderfassung.

Er ist konzipiert für industrielle Einsätze in allen Bereichen der Verfahrenstechnik und kann in Flüssigkeiten eingesetzt werden.

Typische Anwendungen sind Überlauf- und Trockenlaufschutz. Die kleine Schwinggabel gestattet den Einsatz in Behältern und Tanks aller Art. Durch sein einfaches und robustes Messsystem lässt sich der LEVEL SWITCH 8112 nahezu unabhängig von den chemischen und physikalischen Eigenschaften der Flüssigkeit einsetzen.

Er arbeitet auch unter schwierigen Messbedingungen wie Turbulenzen, Luftblasen, Schaumbildung, Anhaftungen, starken Fremd vibrationen oder wechselndem Füllgut.

**Funktionsüberwachung**

Der Elektroneinsatz des LEVEL SWITCH 8112 überwacht über die Frequenzauswertung kontinuierlich folgende Kriterien:

- Starke Korrosion oder Beschädigung der Schwinggabel
- Ausfall der Schwingung
- Leitungsbruch zum Piezoantrieb

Wird eine Funktionsstörung erkannt oder fällt die Spannungsversorgung aus, so nimmt die Elektronik einen definierten Schaltzustand an, d.h. das Relais wird stromlos (sicherer Zustand).

**Funktionsprinzip**

Die Schwinggabel wird piezoelektrisch angetrieben und schwingt auf ihrer mechanischen Resonanzfrequenz von ca. 1200 Hz. Die Piezos sind mechanisch befestigt und unterliegen somit keinen Temperaturschockeingrenzungen. Wird die Schwinggabel mit Füllgut bedeckt, ändert sich die Frequenz. Diese Änderung wird vom eingebauten Elektroneinsatz erfasst und in einen Schaltbefehl umgewandelt.

**Versorgung**

Der LEVEL SWITCH 8112 ist ein Kompaktgerät, d.h. er kann ohne externe Auswertung betrieben werden. Die integrierte Elektronik wertet das Füllstandsignal aus und stellt ein Schaltsignal zur Verfügung. Mit diesem Schaltsignal können Sie ein nachgeschaltetes Gerät direkt betätigen (z.B. eine Warneinrichtung, eine SPS, eine Pumpe etc.).

Die Daten für die Spannungsversorgung finden Sie im Kapitel "*Technische Daten*" im "*Anhang*".

### 3.3 Bedienung

Der Schaltzustand des LEVEL SWITCH 8112 kann bei geschlossenem Gehäuse kontrolliert werden (Kontrollleuchte). In der Grundeinstellung können Füllgüter mit Dichte  $>0,7 \text{ g/cm}^3$  ( $0,025 \text{ lbs/in}^3$ ) detektiert werden. Bei Füllgütern mit niedrigerer Dichte kann das Gerät angepasst werden.

Auf dem Elektronikeinsatz finden Sie folgende Anzeige- und Bedienelemente:

- Kontrollleuchte zur Anzeige des Schaltzustandes (grün/rot)
- DIL-Schalter zur Empfindlichkeitsumschaltung
- Betriebsartenumschaltung zur Wahl des Schaltverhaltens (A/B)

### 3.4 Lagerung und Transport

Ihr Gerät wurde auf dem Weg zum Einsatzort durch eine Verpackung geschützt. Dabei sind die üblichen Transportbeanspruchungen durch eine Prüfung nach DIN EN 24180 abgesichert.

Bei Standardgeräten besteht die Verpackung aus Karton, ist umweltverträglich und wieder verwertbar. Der Messfühler ist zusätzlich mit einer Schutzkappe aus ABS versehen. Bei Sonderausführungen wird zusätzlich PE-Schaum oder PE-Folie verwendet. Entsorgen Sie das anfallende Verpackungsmaterial über spezialisierte Recyclingbetriebe.

- Lager- und Transporttemperatur siehe "*Anhang - Technische Daten - Umgebungsbedingungen*"
- Relative Luftfeuchte 20 ... 85 %

## Verpackung

## Lager- und Transporttemperatur

MAN 1000098257 ML Version A Status: RL (released / freigegeben) printed: 19.08.2008

## 4 Montieren

### 4.1 Allgemeine Hinweise

Grundsätzlich kann der LEVEL SWITCH 8112 in jeder beliebigen Lage eingebaut werden. Das Gerät muss lediglich so montiert werden, dass sich die Schwinggabel auf Höhe des gewünschten Schaltpunktes befindet.

Die Schwinggabel hat seitlich Markierungen (Einkerbungen), die den Schaltpunkt bei senkrechtem Einbau kennzeichnen. Der Schaltpunkt bezieht sich auf das Füllgut Wasser bei Grundeinstellung des Dichteschalters  $\geq 0,7 \text{ g/cm}^3$  ( $0.025 \text{ lbs/in}^3$ ). Achten Sie beim Einbau des LEVEL SWITCH 8112 darauf, dass sich diese Markierung auf der Höhe des gewünschten Schaltpunktes befindet. Beachten Sie, dass sich der Schaltpunkt des Gerätes verschiebt, wenn das Füllgut eine von Wasser abweichende Dichte hat - Wasser  $1 \text{ g/cm}^3$  ( $0.036 \text{ lbs/in}^3$ ). Bei Füllgütern  $< 0,7 \text{ g/cm}^3$  ( $0.025 \text{ lbs/in}^3$ ) und  $> 0,5 \text{ g/cm}^3$  ( $0.018 \text{ lbs/in}^3$ ) ist der Dichteschalter auf  $\geq 0,5 \text{ g/cm}^3$  einzustellen.

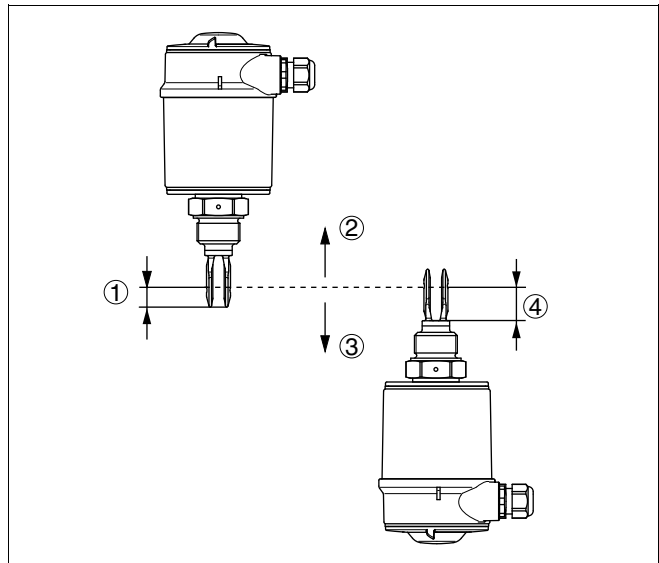


Abb. 2: Einbau senkrecht

- 1 Schaltpunkt ca. 13 mm (0.51 in)
- 2 Schaltpunkt bei geringerer Dichte
- 3 Schaltpunkt bei höherer Dichte
- 4 Schaltpunkt ca. 27 mm (1.06 in)

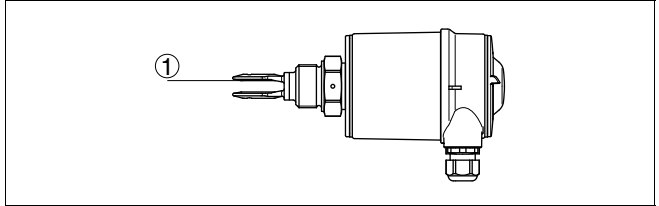


Abb. 3: Horizontaler Einbau

- 1 Schaltpunkt

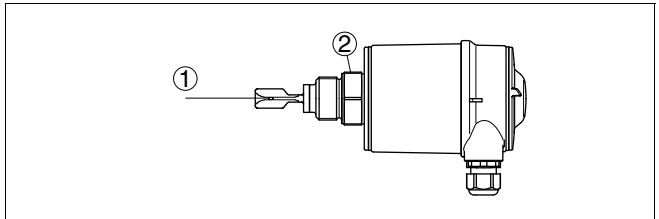


Abb. 4: Einbau waagrecht (empfohlene Einbaulage, vor allem für anhaftende Füllgüter)

- 1 Schaltpunkt
- 2 Markierung bei Gewindeausführung oben, bei Flanschausführungen auf die Flanschbohrungen ausgerichtet

Bei Flanschausführungen ist die Gabel folgendermaßen auf die Flanschbohrungen ausgerichtet.

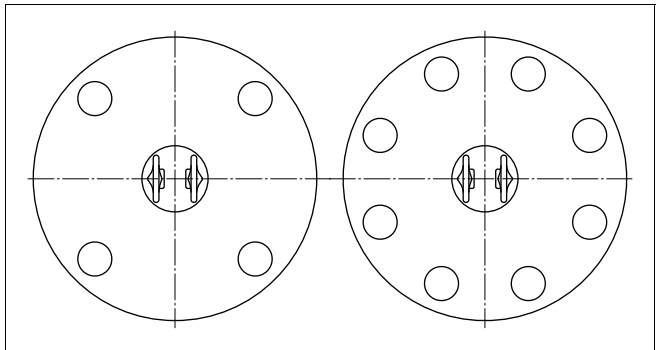


Abb. 5: Gabelstellung bei Flanschausführungen

**Feuchtigkeit**

Verwenden Sie die empfohlenen Kabel (siehe Kapitel "An die Spannungsversorgung anschließen") und ziehen Sie die Kabelverschraubung fest an.

**Transport****Druck/Vakuum****Handhabung**

Sie schützen Ihren LEVEL SWITCH 8112 zusätzlich gegen das Eindringen von Feuchtigkeit, indem Sie das Anschlusskabel vor der Kabelverschraubung nach unten führen. Regen- und Kondenswasser können so abtropfen. Dies gilt vor allem bei Montage im Freien, in Räumen, in denen mit Feuchtigkeit zu rechnen ist (z.B. durch Reinigungsprozesse) oder an gekühlten bzw. beheizten Behältern.

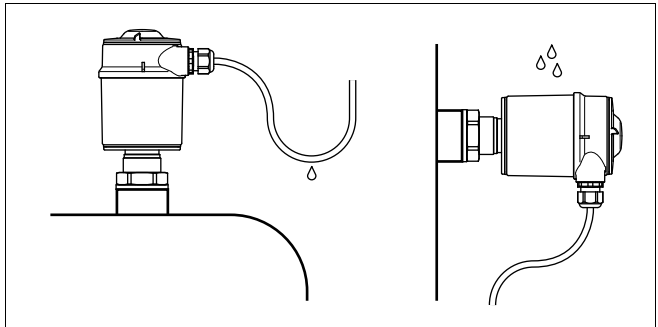


Abb. 6: Maßnahmen gegen das Eindringen von Feuchtigkeit

Halten Sie den LEVEL SWITCH 8112 nicht an der Schwinggabel. Insbesondere bei Flansch- oder Rohrversionen kann die Schwinggabel durch das Gerätegewicht beschädigt werden. Transportieren Sie beschichtete Geräte mit äußerster Vorsicht und vermeiden Sie Berührungen mit der Schwinggabel.

Entfernen Sie die Schutzkappe erst unmittelbar vor dem Einbau.

Bei Über- oder Unterdruck im Behälter müssen Sie den Prozessanschluss abdichten. Prüfen Sie vor dem Einsatz, ob das Dichtungsmaterial gegenüber dem Füllgut und der Prozess Temperatur beständig ist.

Den maximal zulässigen Druck können Sie dem Kapitel "Technische Daten" im "Anhang" oder dem Typschild des Sensors entnehmen.

Der Vibrationsgrenzschalter ist ein Messgerät und muss entsprechend behandelt werden. Ein Verbiegen des Schwingelements führt zur Zerstörung des Gerätes.



**Warnung:**

Das Gehäuse darf nicht zum Einschrauben verwendet werden!  
Das Festziehen kann Schäden an der Drehmechanik des Gehäuses verursachen.

Verwenden Sie zum Einschrauben den Sechskant oberhalb des Gewindes.

**4.2 Montagehinweise**

Der LEVEL SWITCH 8112 hat einen definierten Gewindeanfang. Das bedeutet, dass sich jeder LEVEL SWITCH 8112 nach dem Einschrauben immer in derselben Gabelstellung befindet. Entfernen Sie deshalb die mitgelieferte Dichtung vom Gewinde des LEVEL SWITCH 8112. Diese Dichtung wird bei Verwendung des Einschweißstutzens mit vorne liegendem O-Ring nicht benötigt.

Beachten Sie, dass dieser Einschweißstutzen nicht für beschichtete Gerätevarianten geeignet ist.

Schrauben Sie den LEVEL SWITCH 8112 bis zum Anschlag in den Einschweißstutzen. Sie können die spätere Stellung schon vor dem Schweißen festlegen. Markieren Sie die entsprechende Stellung des Einschweißstutzens. Vor dem Einschweißen müssen Sie den LEVEL SWITCH 8112 herausschrauben und den Gummiring aus dem Einschweißstutzen herausnehmen. Der Einschweißstutzen ist mit einer Markierungskerbe versehen. Schweißen Sie den Einschweißstutzen mit der Markierung nach oben ein bzw. in Rohrleitungen in Fließrichtung.

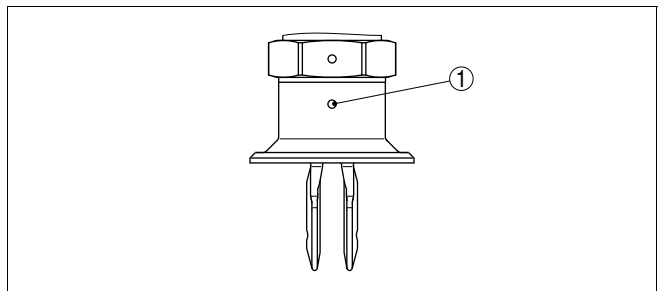


Abb. 7: Markierung am Einschweißstutzen

1 Markierung

**Anhaftende Füllgüter**

Bei horizontalem Einbau in anhaftenden und zähflüssigen Füllgütern sollten die Flächen der Schwinggabel möglichst senkrecht stehen, um Ablagerungen auf der Schwinggabel möglichst gering zu halten. Bei der Gewindeausführung ist eine Markierung auf dem Sechskant. Damit können Sie die Stellung der Schwinggabel beim Einschrauben kontrollieren. Wenn der Sechskant auf der Flachdichtung aufsitzt, kann das Gewinde noch ca. um eine halbe Umdrehung weitergedreht werden. Das genügt, um die empfohlene Einbaulage zu erreichen.

Bei Flanschausführungen ist die Gabel auf die Flanschbohrungen ausgerichtet.

Bei anhaftenden und zähflüssigen Füllgütern sollte die Schwinggabel möglichst frei in den Behälter ragen, um Ablagerungen zu verhindern. Vermeiden Sie deshalb bei horizontalem Einbau Stutzen für Flansche und Einschraubstutzen.

**Einströmendes Füllgut**

Wenn der LEVEL SWITCH 8112 im Befüllstrom eingebaut ist, kann dies zu unerwünschten Fehlschaltungen führen. Montieren Sie den LEVEL SWITCH 8112 deshalb an einer Stelle im Behälter, wo keine störenden Einflüsse, wie z.B. von Befüllöffnungen, Rührwerken etc. auftreten können.

Dies gilt vor allem für die Gerätetypen mit langem Verlängerungsrohr.

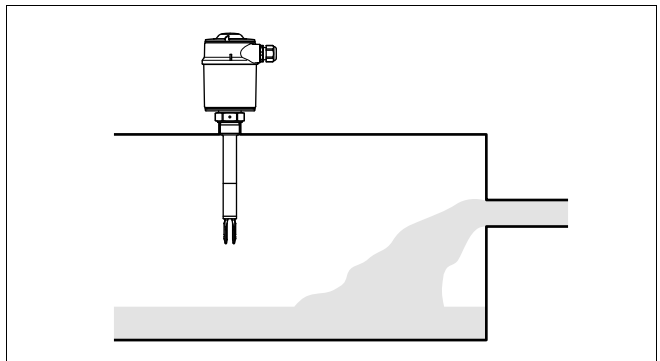


Abb. 8: Einströmendes Füllgut

**Strömungen**

Damit die Schwinggabel des LEVEL SWITCH 8112 bei Füllgutbewegungen möglichst wenig Widerstand bietet, sollten die Flächen der Schwinggabel parallel zur Füllgutbewegung stehen.

**Rührwerke**

MAN 1000098257 ML Version: A Status: RL (released | freigegeben) printed: 19.08.2008

Rührwerke, anlagenseitige Vibrationen o.Ä. können dazu führen, dass der Grenzschalter starken seitlichen Kräften ausgesetzt ist. Wählen Sie aus diesem Grund das Verlängerungsrohr des LEVEL SWITCH 8112 nicht zu lang, sondern prüfen Sie, ob statt dessen nicht ein Grenzschalter seitlich in horizontaler Lage montiert werden kann.

Extreme anlagenseitige Vibrationen und Erschütterungen, z.B. durch Rührwerke und turbulente Strömungen im Behälter können das Verlängerungsrohr des LEVEL SWITCH 8112 zu Resonanzschwingungen anregen. Dies führt zu einer erhöhten Materialbeanspruchung an der oberen Schweißnaht. Wenn eine lange Rohrversion notwendig ist, können Sie deshalb unmittelbar oberhalb der Schwinggabel eine geeignete Abstützung oder Abspannung anbringen, um das Verlängerungsrohr zu fixieren.



Diese Maßnahme gilt vor allem für Anwendungen im Ex-Bereich Kategorie 1G oder WHG. Achten Sie darauf, dass das Rohr durch diese Maßnahme nicht auf Biegung beansprucht wird.

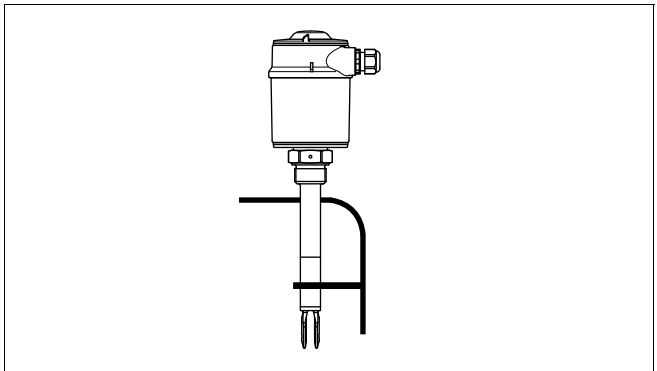


Abb. 9: Seitliche Abstützung des LEVEL SWITCH 8112

**Emaillierung**

Behandeln Sie Geräte mit Email-Beschichtung besonders vorsichtig und vermeiden Sie harte Stöße oder Schläge. Nehmen Sie den LEVEL SWITCH 8112 erst unmittelbar vor dem Einbau aus der Verpackung. Führen Sie den LEVEL SWITCH 8112 vorsichtig in die vorgesehene Behälteröffnung ein und vermeiden Sie dabei jede Berührung mit scharfkantigen Behälterteilen.

## 5 An die Spannungsversorgung anschließen

### 5.1 Anschluss vorbereiten

#### Sicherheitshinweise beachten

Beachten Sie grundsätzlich folgende Sicherheitshinweise:

- Nur in spannungslosem Zustand anschließen

#### Sicherheitshinweise für Ex-Anwendungen beachten



In explosionsgefährdeten Bereichen müssen die entsprechenden Vorschriften, Konformitäts- und Baumusterprübscheinigungen der Sensoren und der Versorgungsgeräte beachtet werden.

#### Spannungsversorgung auswählen

Schließen Sie die Versorgungsspannung gemäß den nachfolgenden Anschlussbildern an. Der Elektronikeinsatz SWE60R ist in Schutzklasse 1 ausgeführt. Zur Einhaltung dieser Schutzklasse ist es zwingend notwendig, dass der Schutzleiter an der inneren Schutzleiteranschlussklemme angeschlossen wird. Beachten Sie dazu die allgemeinen Installationsvorschriften. Verbinden Sie den LEVEL SWITCH 8112 grundsätzlich mit der Behältererde (PA) bzw. bei Kunststoffbehältern mit dem nächstgelegenen Erdpotenzial. Seitlich am Gerätegehäuse befindet sich dazu eine Erdungsklemme zwischen den Kabelverschraubungen. Diese Verbindung dient zur Ableitung elektrostatischer Aufladungen. Bei Ex-Anwendungen müssen Sie übergeordnet die Errichtungsvorschriften für explosionsgefährdete Bereiche beachten.

Die Daten für die Spannungsversorgung finden Sie im Kapitel "Technische Daten" im "Anhang".

#### Anschlusskabel auswählen

Der LEVEL SWITCH 8112 wird mit handelsüblichem Kabel mit rundem Querschnitt angeschlossen. Ein Kabelaußendurchmesser von 5 ... 9 mm (0.2 ... 0.35 in) gewährleistet die Dichtwirkung der Kabelverschraubung.

Wenn Sie Kabel mit anderem Durchmesser oder Querschnitt einsetzen, wechseln Sie die Dichtung oder verwenden Sie eine geeignete Kabelverschraubung.



Verwenden Sie für LEVEL SWITCH 8112 in explosionsgeschützten Bereichen nur zugelassene Kabelverschraubungen.

#### Anschlusskabel für Ex-Anwendungen auswählen



Bei Ex-Anwendungen sind die entsprechenden Errichtungsvorschriften zu beachten.

## 5.2 Anschlusschritte



Bei Ex-Geräten darf der Gehäusedeckel nur dann geöffnet werden, wenn keine explosionsfähige Atmosphäre vorhanden ist.

Gehen Sie wie folgt vor:

- 1 Gehäusedeckel abschrauben
  - 2 Überwurfmutter der Kabelverschraubung lösen
  - 3 Anschlusskabel ca. 10 cm (4 in) abmanteln, Aderenden ca. 1 cm (0.4 in) abisolieren
  - 4 Kabel durch die Kabelverschraubung in den Sensor schieben
  - 5 Anschlussklemmen mit einem Schraubendreher öffnen
  - 6 Aderenden nach Anschlussplan in die offenen Klemmen stecken
  - 7 Anschlussklemmen mit einem Schraubendreher festziehen
  - 8 Korrekten Sitz der Leitungen in den Klemmen durch leichtes Ziehen prüfen
  - 9 Überwurfmutter der Kabelverschraubung fest anziehen. Der Dichtring muss das Kabel komplett umschließen
  - 10 Gehäusedeckel verschrauben
- Der elektrische Anschluss ist somit fertig gestellt.

### 5.3 Anschlussplan Einkammergehäuse

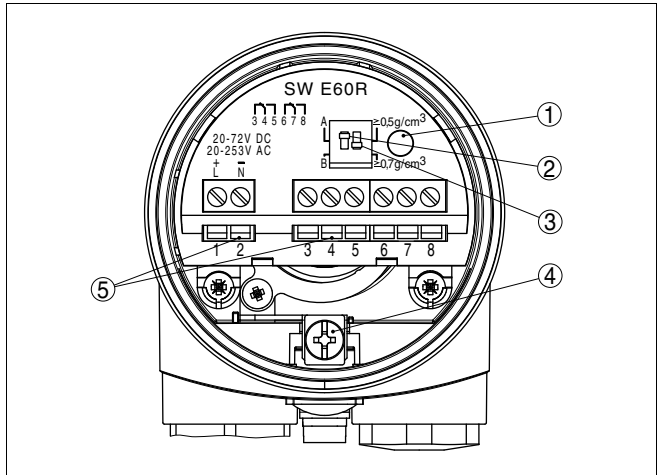


Abb. 10: Elektronik- und Anschlussraum Einkammergehäuse

- 1 Kontrollleuchte
- 2 DIL-Schalter zur Betriebsartenumschaltung
- 3 DIL-Schalter zur Schaltpunktanpassung
- 4 Erdungsklemme
- 5 Anschlussklemmen

### Anschlussplan

Wir empfehlen den LEVEL SWITCH 8112 so anzuschließen, dass der Schaltstromkreis bei Grenzstandmeldung, Leitungsbruch oder Störung geöffnet ist (sicherer Zustand).

Die Relais sind immer im Ruhezustand dargestellt.

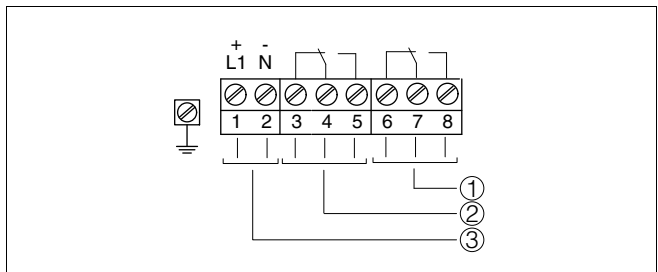


Abb. 11: Anschlussplan Einkammergehäuse

- 1 Relaisausgang
- 2 Relaisausgang
- 3 Spannungsversorgung

## 6 In Betrieb nehmen

### 6.1 Allgemeines

Die Zahlenangaben in Klammern beziehen sich auf die nachfolgenden Abbildungen.

Der Schaltzustand der Elektronik kann bei geschlossenem Gehäusedeckel kontrolliert werden (Kontrollleuchte). In der Grundeinstellung können Füllgüter mit Dichte  $>0,7 \text{ g/cm}^3$  ( $0.025 \text{ lbs/in}^3$ ) detektiert werden. Bei Füllgütern mit niedrigerer Dichte müssen Sie den Schalter auf  $>0,5 \text{ g/cm}^3$  ( $0.018 \text{ lbs/in}^3$ ) stellen.

Auf dem Elektronikeinsatz finden Sie folgende Anzeige- und Bedienelemente:

- Kontrollleuchte (1)
- DIL-Schalter zur Betriebsartenumschaltung - A/B (2)
- DIL-Schalter zur Empfindlichkeitsumschaltung (3)



#### **Hinweis:**

Tauchen Sie die Schwinggabel des LEVEL SWITCH 8112 zu Testzwecken immer in Flüssigkeit. Testen Sie die Funktion des LEVEL SWITCH 8112 nicht mit der Hand. Dies kann zur Beschädigung des Sensors führen.

## 6.2 Bedienelemente

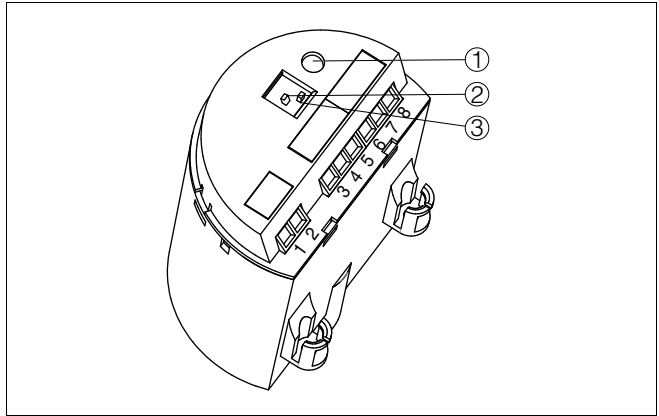


Abb. 12: Elektronikeinsatz SWE60R - Relaisausgang

- 1 Kontrollleuchte (LED)
- 2 DIL-Schalter zur Betriebsartenumschaltung
- 3 DIL-Schalter zur Empfindlichkeitsumschaltung

### Kontrollleuchte (1)

Kontrollleuchte (LED) zur Anzeige des Schaltzustandes.

- grün = Relais betätigt
- rot = Relais stromlos
- rot (blinkt) = Störung

### Betriebsartenumschaltung (2)

Mit der Betriebsartenumschaltung (A/B) können Sie den Schaltzustand des Relais ändern. Sie können damit die gewünschte Betriebsart gemäß "*Funktionstabelle*" einstellen (A - Maximalstanderfassung bzw. Überlaufschutz, B - Minimalstanderfassung bzw. Trockenlaufschutz).

### Empfindlichkeitsumschaltung (3)

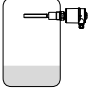
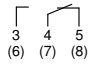


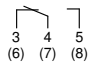

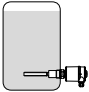


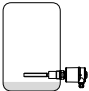


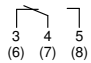

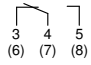

Mit diesem DIL-Schalter (3) können Sie den Schaltpunkt auf Flüssigkeiten einstellen, die eine Dichte zwischen 0,5 und 0,7 g/cm<sup>3</sup> (0.018 und 0.025 lbs/in<sup>3</sup>) haben. In der Grundeinstellung können Flüssigkeiten mit Dichte >0,7 g/cm<sup>3</sup> (0.025 lbs/in<sup>3</sup>) detektiert werden. Bei Füllgütern mit niedrigerer Dichte müssen Sie den Schalter auf >0,5 g/cm<sup>3</sup> (0.018 lbs/in<sup>3</sup>) stellen. Die Angaben zur Lage des Schaltpunktes beziehen sich auf das Füllgut Wasser - Dichtewert 1 g/cm<sup>3</sup> (0.036 lbs/in<sup>3</sup>). Bei Medien mit abweichender Dichte verschiebt sich dieser Schaltpunkt abhängig von Dichte und Einbauart in Richtung Gehäuse oder Schwinggabelende.

Beachten Sie, dass Schäume mit einer Dichte >0,45 g/cm<sup>3</sup> (0.016 lbs/in<sup>3</sup>) vom Sensor detektiert werden. Dies kann vor

allem beim Einsatz als Trockenlaufschutz zu Fehlschaltungen führen.

### 6.3 Funktionstabelle

Die folgende Tabelle gibt eine Übersicht über die Schaltzustände in Abhängigkeit von der eingestellten Betriebsart und dem Füllstand.

	Füllstand	Schaltzustand	Kontrollleuchte
Betriebsart A Überlaufschutz		 3 4 5 (6) (7) (8) Relais betätigt	 grün
Betriebsart A Überlaufschutz		 3 4 5 (6) (7) (8) Relais stromlos	 rot
Betriebsart B Trockenlaufschutz		 3 4 5 (6) (7) (8) Relais betätigt	 grün
Betriebsart B Trockenlaufschutz		 3 4 5 (6) (7) (8) Relais stromlos	 rot
Ausfall der Spannungsversorgung (Betriebsart A/B)	beliebig	 3 4 5 (6) (7) (8) Relais stromlos	
Störung	beliebig	 3 4 5 (6) (7) (8) Relais stromlos	 blinkt rot

## 7 Instandhalten und Störungen beseitigen

### 7.1 Wartung

Der LEVEL SWITCH 8112 bedarf bei bestimmungsgemäßer Verwendung im Normalbetrieb keiner besonderen Wartung.

### 7.2 Störungen beseitigen

Der LEVEL SWITCH 8112 bietet Ihnen ein Höchstmaß an Funktionssicherheit. Dennoch können während des Betriebes Störungen auftreten. Diese können z.B. folgende Ursachen haben:

- Sensor
- Prozess
- Versorgung
- Signalauswertung

Die erste Maßnahme ist die Überprüfung des Ausgangssignals. In vielen Fällen lassen sich die Ursachen auf diesem Wege feststellen und die Störungen so beseitigen.

- ? Der LEVEL SWITCH 8112 meldet bedeckt ohne Füllgutbedeckung (Überfüllsicherung)
- ? Der LEVEL SWITCH 8112 meldet unbedeckt mit Füllgutbedeckung (Trockenlaufschutz)
  - Versorgungsspannung zu niedrig
    - Versorgungsspannung prüfen
  - Elektronik defekt
    - Betriebsartenschalter (min./max.) betätigen. Wenn das Gerät daraufhin umschaltet, kann das Gerät mechanisch beschädigt sein. Sollte die Schaltfunktion auf der korrekten Betriebsart wieder fehlerhaft sein, senden Sie das Gerät zur Reparatur ein.
    - Betriebsartenschalter betätigen. Wenn das Gerät daraufhin nicht umschaltet, ist der Elektronikeinsatz defekt. Elektronikeinsatz tauschen.
    - Schwingelement auf eventuelle Anhaftungen kontrollieren und diese entfernen.
  - Einbauort ungünstig
    - Gerät an einer Stelle einbauen, an der sich keine Toträume oder Luftblasen im Behälter bilden können.

- Falsche Betriebsart gewählt
- Korrekte Betriebsart am Betriebsartenschalter einstellen (max.: Überlaufschutz, min.: Trockenlaufschutz). Die Verkabelung sollte nach dem Ruhestromprinzip ausgeführt werden.
- ? Kontrollleuchte blinkt rot
  - Elektronik hat eine Störung erkannt
  - Gerät austauschen bzw. zur Reparatur einsenden
- ? Kontrollleuchte blinkt abwechselnd rot und grün
  - Gerät defekt
  - Gerät austauschen bzw. zur Reparatur einsenden

## 8 Ausbauen

### 8.1 Ausbauschritte

**Warnung:**

Achten Sie vor dem Ausbauen auf gefährliche Prozessbedingungen wie z.B. Druck im Behälter, hohe Temperaturen, aggressive oder toxische Füllgüter etc.

Beachten Sie die Kapitel "*Montieren*" und "*An die Spannungsversorgung anschließen*" und führen Sie die dort angegebenen Schritte sinngemäß umgekehrt durch.



Bei Ex-Geräten darf der Gehäusedeckel nur dann geöffnet werden, wenn keine explosionsfähige Atmosphäre vorhanden ist.

### 8.2 Entsorgen

Das Gerät besteht aus Werkstoffen, die von darauf spezialisierten Recyclingbetrieben wieder verwertet werden können. Wir haben hierzu die Elektronik leicht trennbar gestaltet und verwenden recycelbare Werkstoffe.

**WEEE-Richtlinie 2002/96/EG**

Das vorliegende Gerät unterliegt nicht der WEEE-Richtlinie 2002/96/EG und den entsprechenden nationalen Gesetzen (in Deutschland z.B. ElektroG). Führen Sie das Gerät direkt einem spezialisierten Recyclingbetrieb zu und nutzen Sie dafür nicht die kommunalen Sammelstellen. Diese dürfen nur für privat genutzte Produkte gemäß WEEE-Richtlinie genutzt werden.

Eine fachgerechte Entsorgung vermeidet negative Auswirkungen auf Mensch und Umwelt und ermöglicht eine Wiederverwendung von wertvollen Rohstoffen.

Werkstoffe: siehe Kapitel "*Technische Daten*"

Sollten Sie keine Möglichkeit haben, das Altgerät fachgerecht zu entsorgen, so sprechen Sie mit uns über Rücknahme und Entsorgung.

## 9 Anhang

### 9.1 Technische Daten

#### Allgemeine Daten

Werkstoff 316L entspricht 1.4404 oder 1.4435

Werkstoffe, medienberührt

- Prozessanschluss - Gewinde 316L, Hastelloy C4 (2.4602)
- Prozessanschluss - Flansch 316L, 316L mit Hastelloy C4 plattiert, Stahl emailliert, 316L mit ECTFE beschichtet, 316L mit PFA beschichtet
- Prozessdichtung Klingersil C-4400
- Schwinggabel 316L, Hastelloy C4 (2.4610)
- Verlängerungsrohr  $\varnothing$  21,3 mm (0.84 in) 316L, Hastelloy C4 (2.4610), Hastelloy C4 (2.4610) emailliert, 316L mit ECTFE beschichtet, 316L mit PFA beschichtet

Werkstoffe, nicht medienberührt

- Gehäuse Kunststoff PBT (Polyester)
- Dichtung zwischen Gehäuse und Gehäusedeckel EPDM
- Erdungsklemme 316L
- Temperaturzwischenstück (optional) 316L
- Gassdichte Durchführung (optional) 316L/Glas

Längen

- 316L, Hastelloy C4 (2.4610) 80 ... 6000 mm (3.15 ... 236.22 in)
- Hastelloy C4 (2.4610) emailliert 80 ... 1500 mm (3.15 ... 59.055 in)
- 316L, ECTFE-beschichtet 80 ... 3000 mm (3.15 ... 118.11 in)
- 316L, PFA-beschichtet 80 ... 3000 mm (3 ... 118 in)

Gewichte

- Kunststoffgehäuse ca. 850 g (30 oz)
- Rohrverlängerung ca. 920 g/m (10 oz/ft)

Schichtdicke

- Email ca. 0,8 mm (0.03 in)
- ECTFE ca. 0,5 mm (0.02 in)
- PFA ca. 0,5 mm (0.02 in)

## Oberflächengüte

- Standard  $R_a$  ca.  $3 \mu\text{m}$  ( $1.18^{-4}$  in)
- Lebensmittelausführung (3A)  $R_a < 0,8 \mu\text{m}$  ( $3.15^{-5}$  in)
- Lebensmittelausführung (3A)  $R_a < 0,3 \mu\text{m}$  ( $1.18^{-5}$  in)

## Prozessanschlüsse

- Gewinde G $\frac{3}{4}$  A,  $\frac{3}{4}$  NPT, G1 A, 1 NPT
- Flansche DIN ab DN 25, ANSI ab 1"
- Lebensmittelgeeignete Anschlüsse Rohrverschraubung DN 40 PN 40, Tri-Clamp 1", Tri-Clamp 1½" PN 10, Konus DN 25 PN 40, Tuchenhagen Varivent DN 50 PN 10

## Hochspannungsprüfung (Email)

max. 5 KV

## Gasdichte Durchführung (optional)

- Leckrate  $< 10^{-6}$  mbar l/s
- Druckfestigkeit PN 64
- Lebensmittelgeeignete Anschlüsse Rohrverschraubung DN 40 PN 40, Tri-Clamp 1", Tri-Clamp 1½" PN 10, Konus DN 25 PN 40, Tuchenhagen Varivent DN 50 PN 10

---

**Ausgangsgröße**

Ausgang Relaisausgang (DPDT), 2 potenzialfreie Umschaltkontakte

## Schaltspannung

- min. 10 mV
- max. 253 V AC, 253 V DC

## Schaltstrom

- min. 10  $\mu\text{A}$
- max. 3 A AC, 1 A DC

## Schaltleistung

- min. 50 mW
  - max. 750 VA AC, 54 W DC
- Wenn induktive Lasten oder höhere Ströme geschaltet werden, wird die Goldplattierung auf der Relaiskontaktfläche dauerhaft beschädigt. Der Kontakt ist danach nicht mehr zum Schalten von Kleinsignalstromkreisen geeignet.

## Kontaktwerkstoff (Relaiskontakte)

AgNi oder AgSnO und Au plattiert

Betriebsarten (umschaltbar)

- A Maximalstanderfassung bzw. Überlaufschutz/Überfüllsicherung
- B Minimalstanderfassung bzw. Trockenlaufschutz

printed: 19.08.2008

**Messgenauigkeit**

Messabweichung  $\pm 1 \text{ mm } (\pm 0.04 \text{ in})$

**Einfluss der Prozesstemperatur auf den Schaltpunkt**

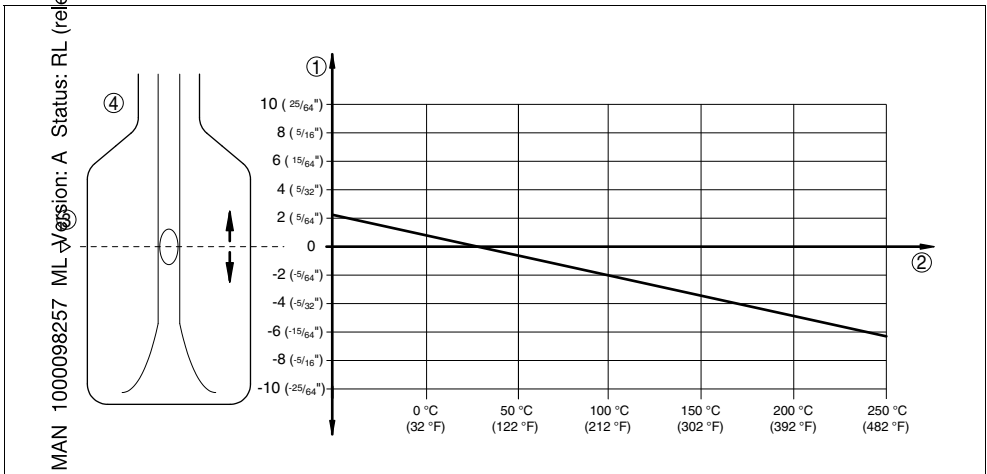


Abb. 29: Einfluss der Prozesstemperatur auf den Schaltpunkt

- 1 Verschiebung des Schaltpunktes in mm (in)
- 2 Prozesstemperatur in °C (°F)
- 3 Schaltpunkt bei Referenzbedingungen (Einkerbung)
- 4 Schwinggabel

**Einfluss der Füllgutdichte auf den Schaltpunkt**

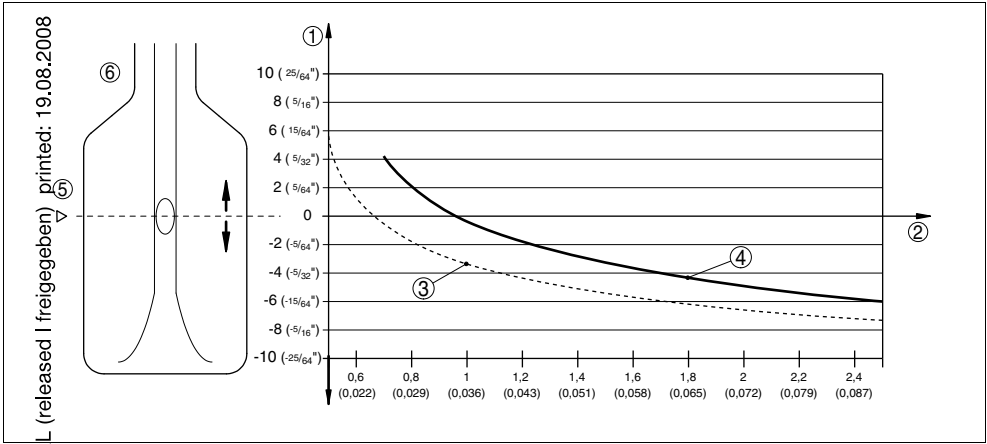


Abb. 90: Einfluss der Füllgutedichte auf den Schaltpunkt

- 1 Verschiebung des Schaltpunktes in mm (in)
- 2 Füllgutedichte in g/cm<sup>3</sup> (lb/in<sup>3</sup>)
- 3 Schalterstellung 0,5 g/cm<sup>3</sup> (entspricht 0.018 lb/in<sup>3</sup>)
- 4 Schalterstellung 0,7 g/cm<sup>3</sup> (entspricht 0.025 lb/in<sup>3</sup>)
- 5 Schaltpunkt bei Referenzbedingungen (Einkerbung)
- 6 Schwinggabel

## Einfluss des Prozessdrucks auf den Schaltpunkt

MAN 100009825 ML

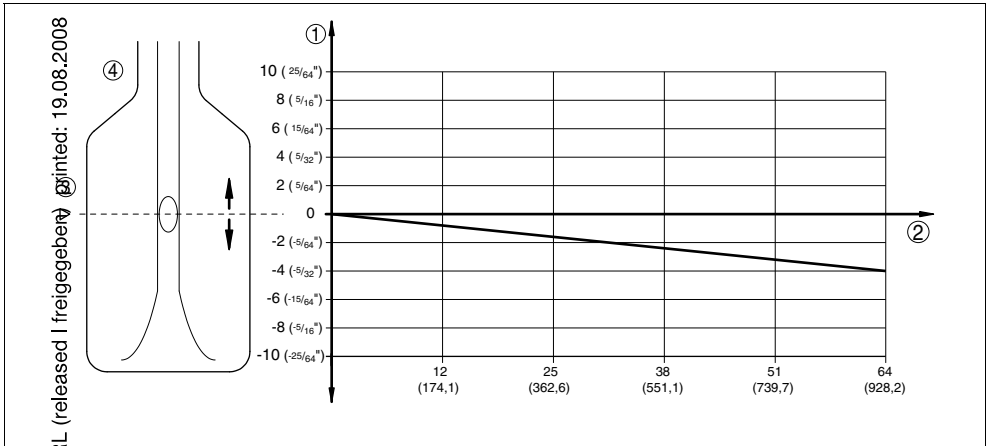


Abb. 33: Einfluss des Prozessdrucks auf den Schaltpunkt

- 1 Verschiebung des Schaltpunktes in mm (in)
- 2 Prozessdruck in bar (psi)
- 3 Schaltpunkt bei Referenzbedingungen (Einkerbung)
- 4 Schwinggabel

Wiederholbarkeit	0,1 mm (0.004 in)
Hysterese	ca. 2 mm (0.08 in) bei vertikalem Einbau
Schaltverzögerung	ca. 500 ms (ein/aus)
Messfrequenz	ca. 1200 Hz

**Umgebungsbedingungen**

Umgebungstemperatur am Gehäuse	-40 ... +70 °C (-40 ... +158 °F)
Lager- und Transporttemperatur	-40 ... +80 °C (-40 ... +176 °F)

**Prozessbedingungen**

Messgröße	Grenzstand von Flüssigkeiten
Prozessdruck	-1 ... 64 bar (-14.5 ... 938 psi) abhängig vom Prozessanschluss, z.B. Flansch (siehe folgende Diagramme)
LEVEL SWITCH 8112 aus 316L/Hastelloy C4 (2.4610)	-50 ... +150 °C (-58 ... +302 °F)

Prozesstemperatur (Gewinde- bzw. Flanschtemperatur) mit Temperaturzwischenstück (optional)

- LEVEL SWITCH 8112 aus 316L/  
Hastelloy C4 -50 ... +250 °C (-58 ... +482 °F)
- LEVEL SWITCH 8112 emailliert -50 ... +200 °C (-58 ... +392 °F)
- LEVEL SWITCH 8112 mit ECTFE beschichtet -50 ... +150 °C (-58 ... +302 °F)
- LEVEL SWITCH 8112 mit PFA beschichtet -50 ... +150 °C (-58 ... +302 °F)

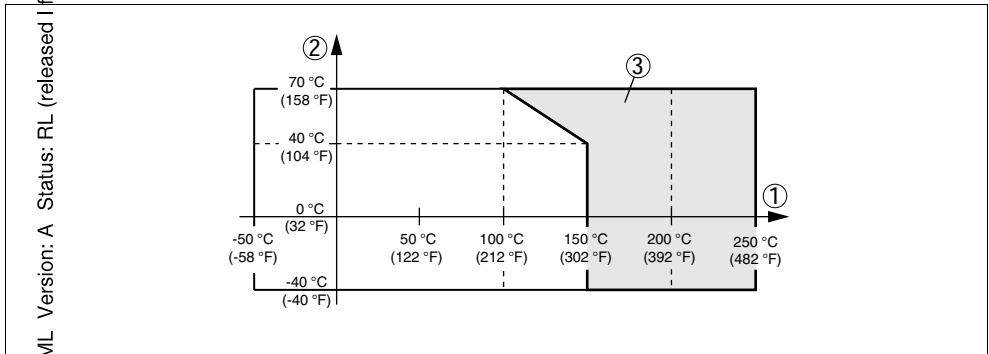


Abb. 32: Umgebungstemperatur - Prozesstemperatur

- 1 Prozesstemperatur in °C (°F)
- 2 Umgebungstemperatur in °C (°F)
- 3 Temperaturbereich mit Temperaturzwischenstück

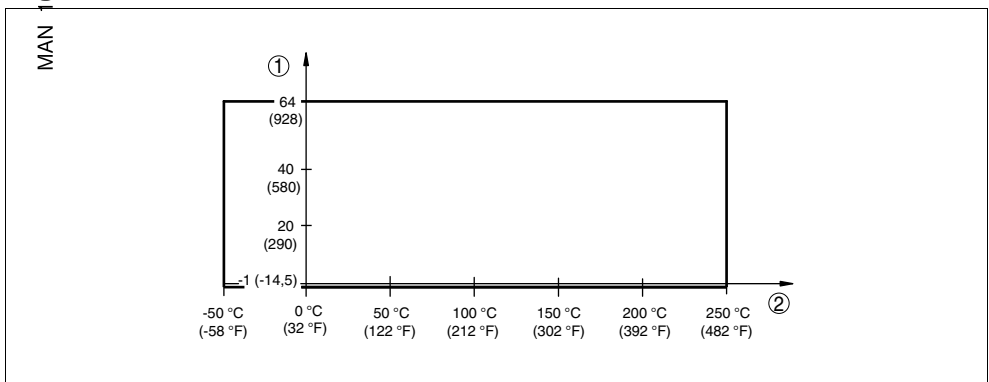


Abb. 33: Prozesstemperatur - Prozessdruck bei Schalterstellung 0,7 g/cm<sup>3</sup> (Betriebsartumschalter)

- 1 Prozessdruck in bar (psi)
- 2 Prozesstemperatur in °C (°F)

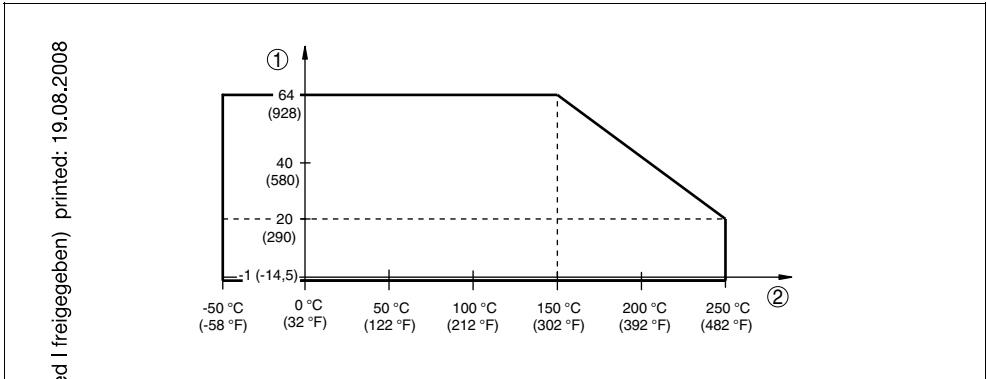


Abb. 3: Prozesstemperatur - Prozessdruck bei Schalterstellung 0,5 g/cm<sup>3</sup> (Betriebsartenumschalter)

- 1 Prozessdruck in bar (psi)
- 2 Prozesstemperatur in °C (°F)

Viskosität - dynamisch

0,1 ... 10.000 mPa s (Voraussetzung: bei Dichte 1)

Dichte

0,7 ... 2,5 g/cm<sup>3</sup> (0.025 ... 0.09 lbs/in<sup>3</sup>);  
0,5 ... 2,5 g/cm<sup>3</sup> (0.018 ... 0.09 lbs/in<sup>3</sup>) durch Umschalten

**Elektromechanische Daten**

Kabeleinführung/Stecker (je nach Ausführung)

– Einkammergehäuse

- 1x Kabelverschraubung M20x1,5 (Kabel-ø 5 ... 9 mm), 1x Blindstopfen M20x1,5; beiliegend 1x Kabelverschraubung M20x1,5

oder:

- 1x Kabelverschraubung ½ NPT, 1x Blindstopfen ½ NPT, 1x Kabelverschraubung ½ NPT

oder:

- 1x Stecker M12x1, 1x Blindstopfen M20x1,5

Schraubklemmen

für Leitungsquerschnitt bis 1,5 mm<sup>2</sup> (0.0023 in<sup>2</sup>)

MAN 100009982 MIL Version: A Status: Freigegeben | printed: 19.08.2008

---

**Bedienelemente**


---

Betriebsartenschalter

 – Maximalstanderfassung bzw. Überlaufschutz/  
Überfüllsicherung

 – Minimalstanderfassung bzw. Trockenlauf-  
schutz

Dichtschalter

 – 0,5 ... 2,5 g/cm<sup>3</sup> (0.018 ... 0.9 oz/in<sup>3</sup>)

 – 0,7 ... 2,5 g/cm<sup>3</sup> (0.025 ... 0.9 oz/in<sup>3</sup>)

---

**Spannungsversorgung**


---

Versorgungsspannung

 20 ... 253 V AC, 50/60 Hz, 20 ... 72 V DC (bei  
U >60 V DC darf die Umgebungstemperatur  
max. 50 °C/122 °F betragen)

Leistungsaufnahme

1 ... 8 VA (AC), ca. 1,3 W (DC)

---

**Elektrische Schutzmaßnahmen**


---

Schutzart

IP 66/IP 67

Überspannungskategorie

III

Schutzklasse

I

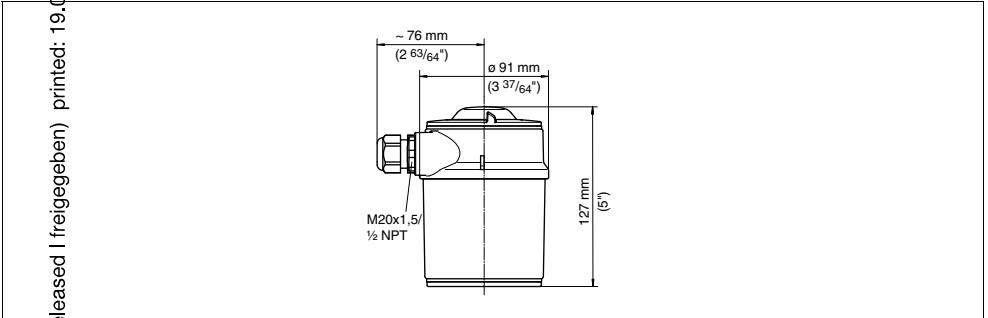
**9.2 Maße****LEVEL SWITCH 8112**

Abb. 33: Gehäuse

MAN 1000098257 ML Version: A Status: P3 (released | freigegeben) printed: 19.08.2008

## LEVEL SWITCH 8112

MAN 1000098257 ML Version: A Status: RL (released | freigegeben) printed: 19.08.2018

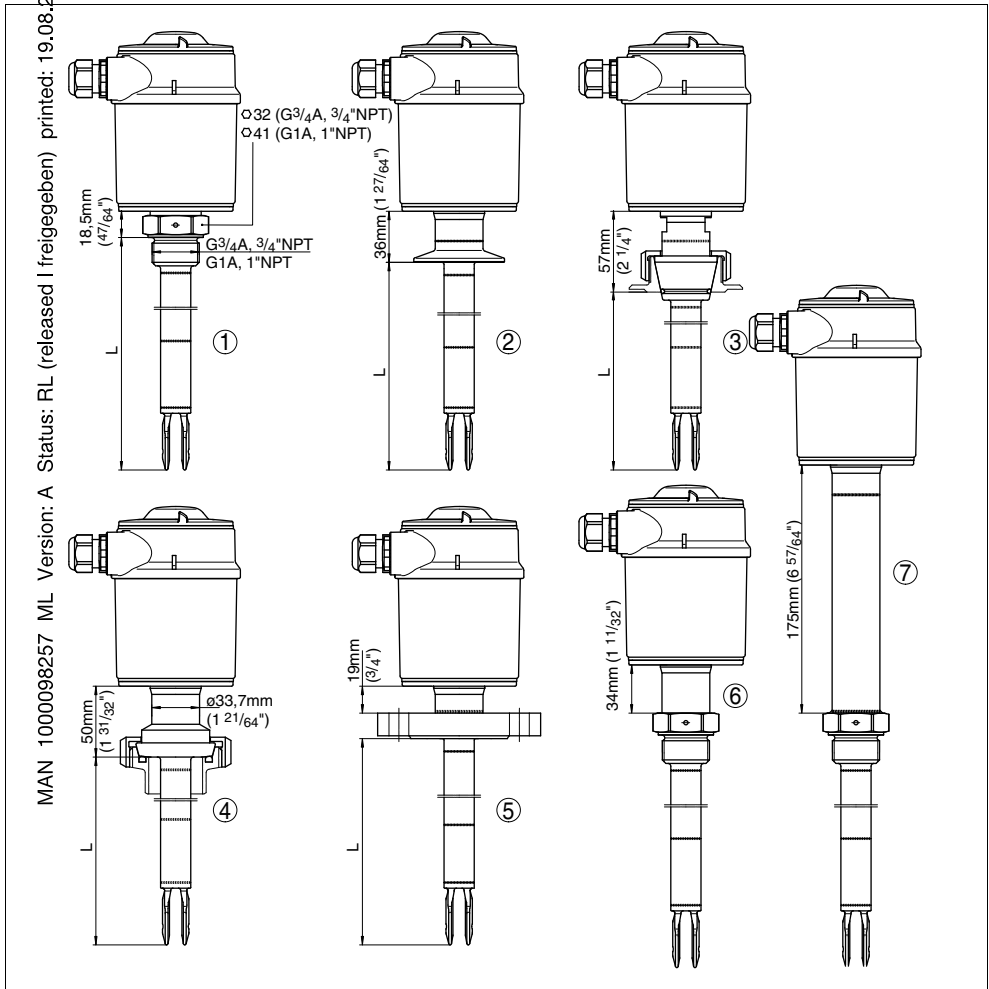


Abb. 36: LEVEL SWITCH 8112

- 1 Gewinde
  - 2 Tri-Clamp
  - 3 Konus DN 25
  - 4 Rohrverschraubung DN 40
  - 5 Flansch
  - 6 Gasdichte Durchführung
  - 7 Temperaturzwischenstück
- L = Sensorklänge, siehe Kapitel "Technische Daten"

MAN 1000098257 ML Version: A Status: RL (released | freigegeben) printed: 19.08.2008

MAN 1000098257 ML Version: A Status: RL (released | freigegeben) printed: 19.08.2008

The smart choice  
of Fluid Control Systems  
[www.buerkert.com](http://www.buerkert.com)

Technische Änderungen vorbehalten  
© Bürkert-Werke GmbH & Co. KG

  
Fluid Control Systems

32050-DE-070614